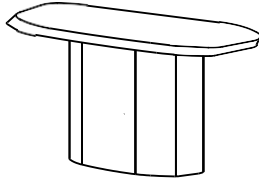


FURNITURE ASSEMBLY INSTRUCTIONS

ALGIERS CONSOLE TABLE

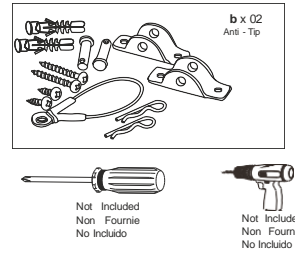
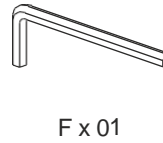
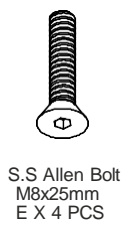
SKU # 778564



These instructions are provided for your convenience. It is very important that they are read carefully and completely before beginning installation of this item. Assembly by 4 people recommended.

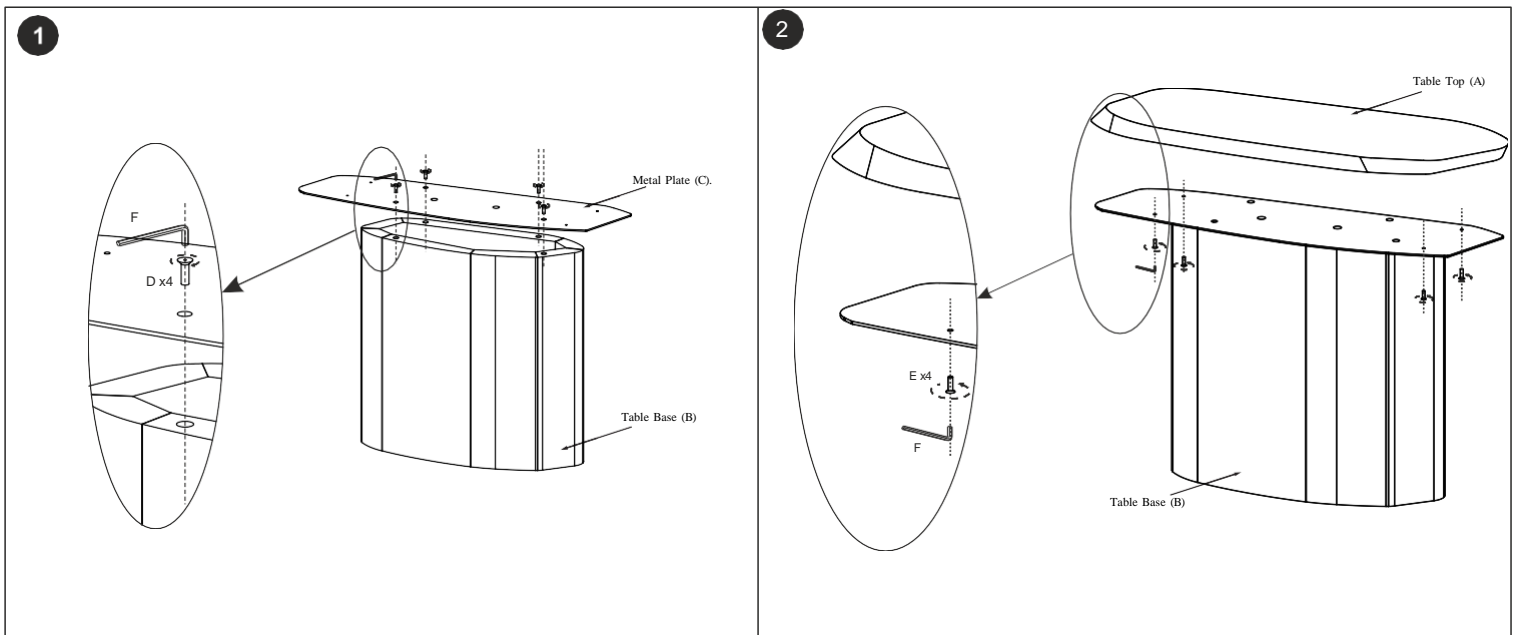
Parts List:

- A) Table Top
- B) Table Base
- C) Metal plate
- D) Allen bolt M6 x 20mm (4pcs)
- E) Allen bolt M6 x 25mm (4pcs)
- F) Allen Key (1pcs)



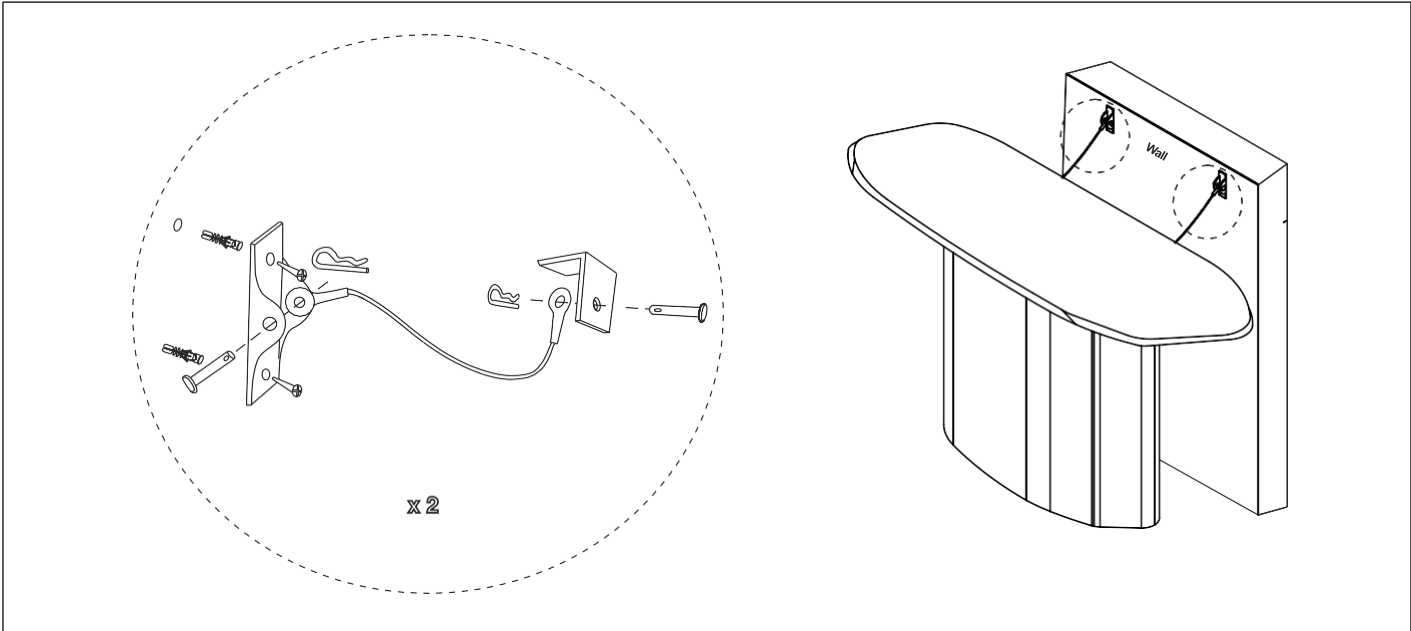
To Assemble:

1. Unpack box contents onto a scratch-free surface. Do not discard box.
2. Place base in desired location.
3. Lay marble table base (B) on the floor with holes facing upward.
4. Align the holes of the metal plate (C) with the base (B).
5. Use the Allen key to tighten the screws into each hole until secure.
6. Assemble top (A) to the base and Matching holes.
7. Assemble top (A) with base (B) using screw (E).
8. Use the adjustable levelers to ensure base does not wobble on uneven floor surface.



Care instructions: wipe up spills immediately with a soft, damp cloth. Do not use cleaning solutions or abrasives.





Wall Mounting Instructions

- 1) Mark and drill holes on the wall for mounting plate(s). Drill pilot holes into marked positions and into a wall stud.
NOTE: if wall studs are not available, drill holes slightly smaller than the drywall anchors and insert each anchor until its flange is flush with the wall.
- 2) Using a screwdriver, secure mounting bracket(s) to the wall stud or drywall anchors with screws provided.
- 3) Position product in final location, and secure to the wall by lacing one end of plastic tie(s) through both the wall mounting plates and product, and through the other end, pulling tightly to remove slack. Do not over tighten.