

PALECEK™






601 PARR BOULEVARD, RICHMOND, CA 94801

MONTERA PLATFORM BED ASSEMBLY INSTRUCTIONS

These instructions are provided for your convenience. It is very important that they are read carefully and completely before beginning installation of this item. (Applies to items 777903, 777703)



Parts list		
Part	Description	Qty
A	Headboard	1
B	Footboard	1
C	Left side rail	1
D	Right side rail	1
E	Center support rail	1
F	Slat roll	1

Hardware list		
Part	Description	Qty
F	 Threaded Rod	8
G	 Square Flat Washer	8
H	 Hex Nut	8
I	 Screw	20
J	 Wrench	1

TO ASSEMBLE: Assembly by two (2) people recommended.

1. Unpack the components and place on a non-scratching surface. Be sure not to accidentally throw out the hardware.
2. Carefully lean the Headboard (A) against a wall. Be sure to avoid scratching the wall by using a rag or towel behind the headboard.
3. Insert four (4) Threaded Rods (F), into the existing threaded holes on the lower face of the headboard. Turn until snug.
4. Position the Left Side Rail (C) so that the holes at the end fit over the Threaded Rods (F) that are inserted into the headboard.
5. Place Square Flat Washer (G) over Threaded Rod (F) within the open slot of the siderail, then place Hex Nut (H) over Threaded Rod end and tighten using the provided wrench (J). Repeat steps for the Right Side Rail (D).
6. Insert four (4) Threaded Rods (A), into the existing threaded holes on the inside face of the footboard.
7. Lift the end of the Left Side Rail (C) and position the holes at the end to fit over the inserted Threaded Rods (F).
8. Place Square Flat Washer (G) over Threaded Rod (F) within the open slot of the Left Side Rail (C), then place Hex Nut (H) over Threaded rod end and tighten using the provided wrench (J). Repeat steps for the Right Side Rail (D).
9. Place the Center Support Rail (E) into position by aligning the ends with a clip and snap into place onto the receiving clip on the face of the Headboard (A) and inside face of the Footboard (B). Use the adjustable levelers on the Center Support Rail (E) feet to make contact with the floor by rotating leveler counter clockwise.
10. Place Slat roll (F) as illustrated in Diagram 1, and roll out onto side rail supports. Ensure the Slat roll is fully extended between Headboard (A) and Footboard (B).
11. Insert one (1) Screw (I) into both ends of each Bed Slats and tighten with a screwdriver (not provided).
12. Assembly complete. (Diagram 2).

CARE:

Dust with a soft dry cloth. Do not use cleaning solutions or abrasives.

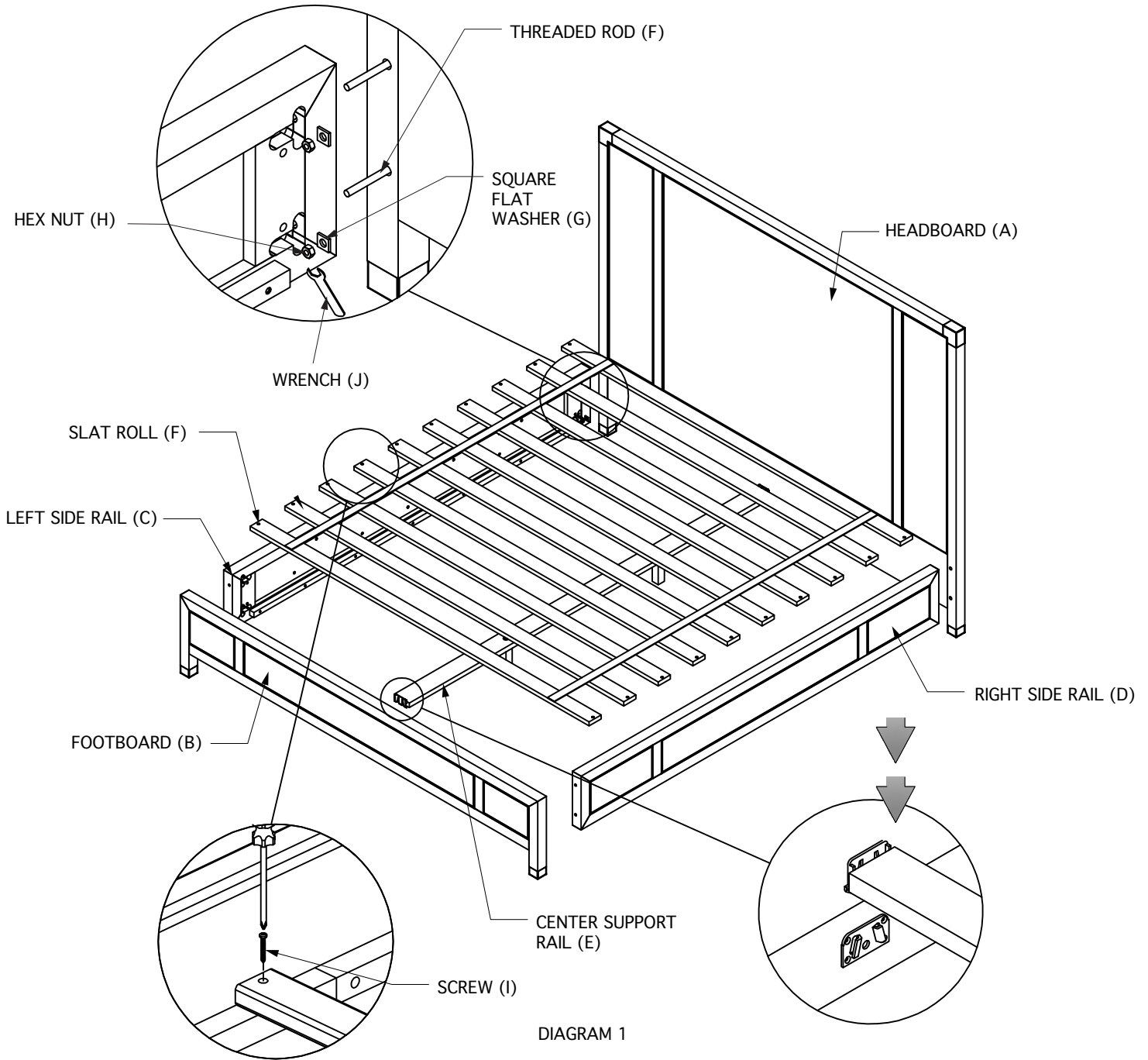
T. 800.274.7730 | F. 510.234.7234

PALECEK.COM

PALECEK™

601 PARR BOULEVARD, RICHMOND, CA 94801

MONTERRA PLATFORM BED ASSEMBLY INSTRUCTIONS



T. 800.274.7730 | F. 510.234.7234

PALECEK.COM

PALECEK™

601 PARR BOULEVARD, RICHMOND, CA 94801

MONTERRA PLATFORM BED ASSEMBLY INSTRUCTIONS

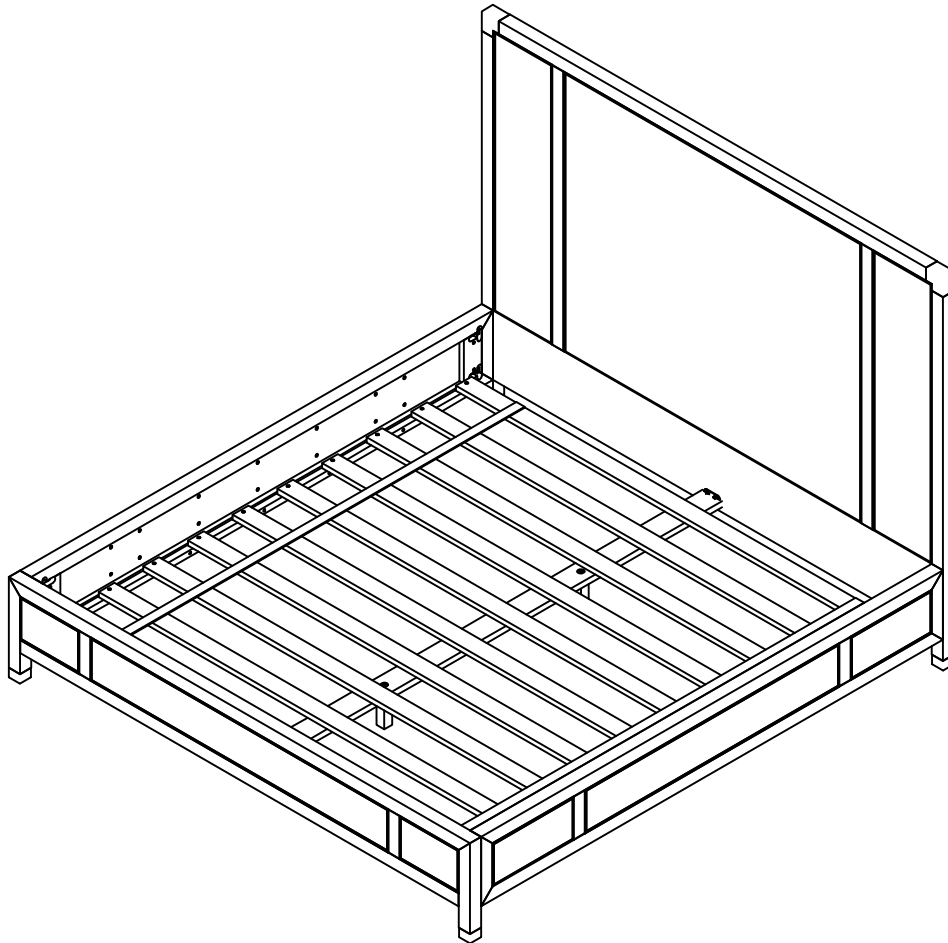


DIAGRAM 2

T. 800.274.7730 | F. 510.234.7234

PALECEK.COM