

PALECEK™

601 PARR BOULEVARD, RICHMOND, CA 94801

AMALFI DINING TABLE ASSEMBLY INSTRUCTIONS

These instructions are provided for your convenience. It is very important that they are read carefully and completely before beginning installation of this item. (Applies to items 7747-01)



PARTS:

- A. Table top x1
- B. Table apron x1
- C. Table leg x4
- D. Allen Key x1
- E. Allen bolt x8
- F. Wood screw x8
- G. Washer x8

ITEM 7747-01

TOOLS NEEDED:

- 1. Allen key (Included).
- 2. Phillips head screw driver (not included).

TO ASSEMBLE:

- 1. Unpack all parts from packaging.
- 2. Place Table Top (A) upside down on a scratch free surface, such as a blanket or carpeting.
- 3. Place Table Apron (B) upside down on a scratch free surface, such as a blanket or carpeting.
- 4. Place one Table leg (C) into position at corner of Table Apron (B), aligning holes. (Fig 1.)
- 5. Insert Allen Bolts (E), through Washers (G), into holes through Table Apron (B) and into Table leg (C). Tighten with Allen Key (D).
- 6. Repeat steps for remaining Table legs (C).
- 7. Place Table leg /Apron assembly onto upside down Table top (A), ensuring holes are aligned. (Fig 2.)
- 8. Insert Wood Screws (F) through Table Apron holes and tighten using Phillips head screw driver.
- 9. Assembly complete.

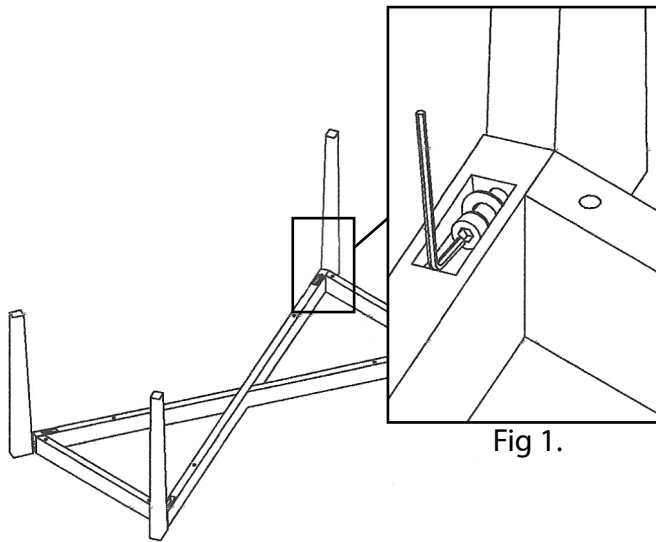


Fig 1.

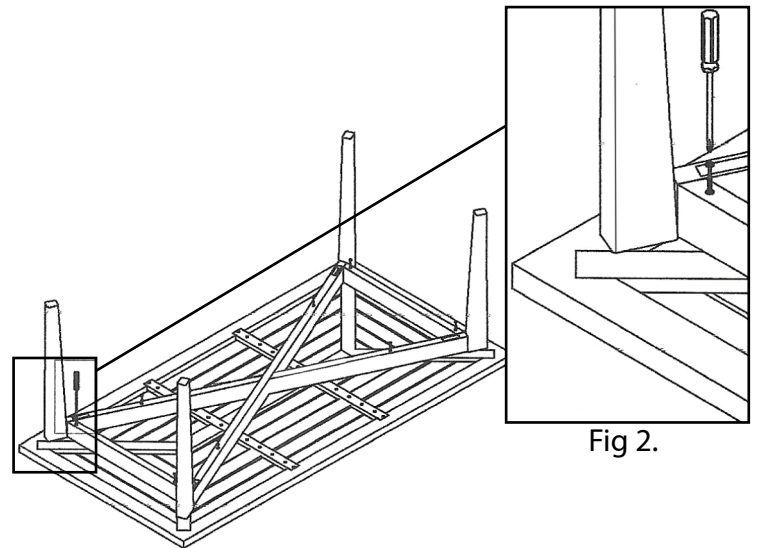


Fig 2.

CARE:

Dust with a soft dry cloth. Do not use cleaning solutions or abrasives. Clean with mild soap and water on damp cloth.