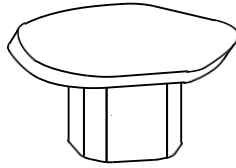


FURNITURE ASSEMBLY INSTRUCTIONS ALGIERS COFFEE TABLE TALL

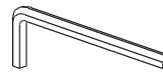
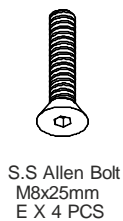
SKU # 772064



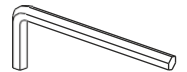
These instructions are provided for your convenience. It is very important that they are read carefully and completely before beginning installation of this item. Assembly by 3 people recommended.

Parts List:

- A) Table Top
- B) Table Base
- C) Metal plate
- D) Allen bolt M6 x 25mm (4pcs)
- E) Allen bolt M8 x 25mm (4pcs)
- F) Allen Key (1pcs)
- G) Allen Key (1pcs)



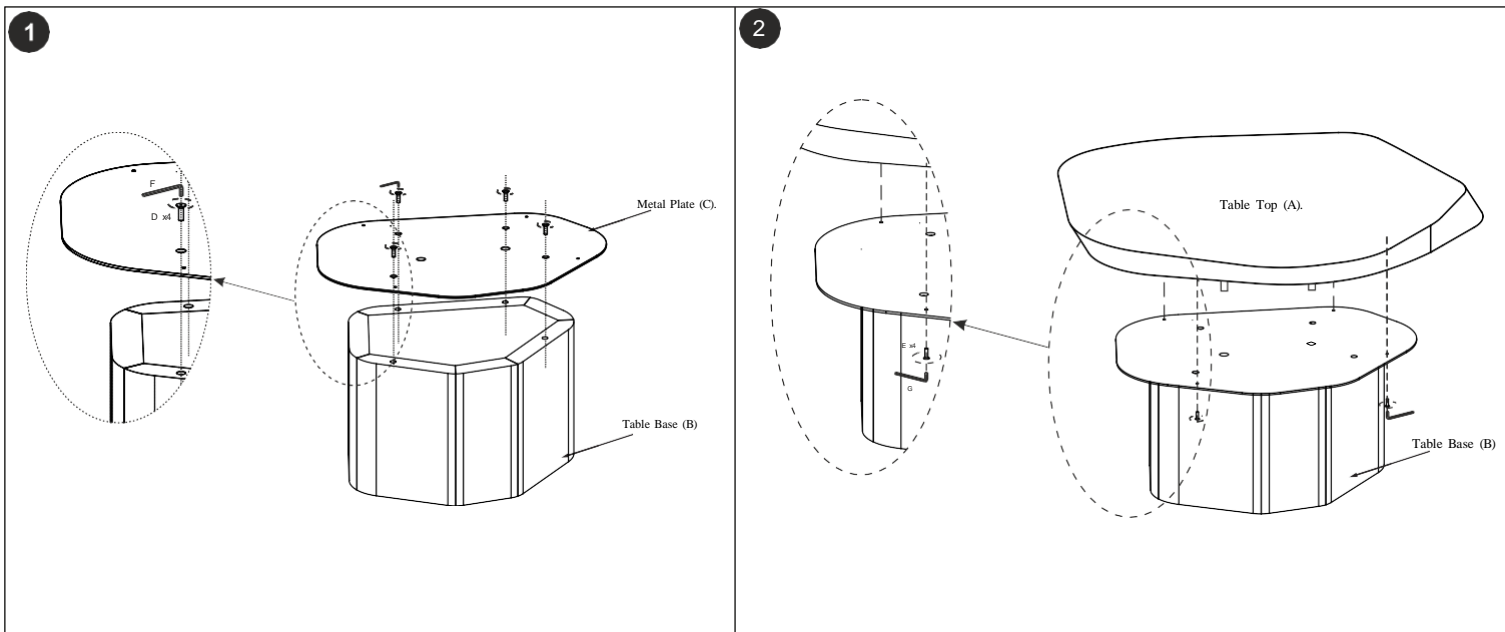
F x 01



G x 01

To Assemble:

1. Unpack box contents onto a scratch-free surface. Do not discard box.
2. Place base in desired location.
3. Lay marble table base (B) on the floor with holes facing upward.
4. Align the holes of the metal plate (C) with the base (B).
5. Use the Allen key to tighten the screws into each hole until secure.
6. Assemble top (A) to the base and Matching holes.
7. Assemble top (A) with base (B) using screw (E).
8. Use the adjustable levelers to ensure base does not wobble on uneven floor surface.



Care instructions: wipe up spills immediately with a soft, damp cloth. Do not use cleaning solutions or abrasives.

