

PALECEK™

601 PARR BOULEVARD, RICHMOND, CA 94801

ARGENTA QUEEN BED ASSEMBLY INSTRUCTIONS

These instructions are provided for your convenience. It is very important that they are read carefully and completely before beginning installation of this item. (Applies to item 7691-03). Installation by two (2) persons recommended.

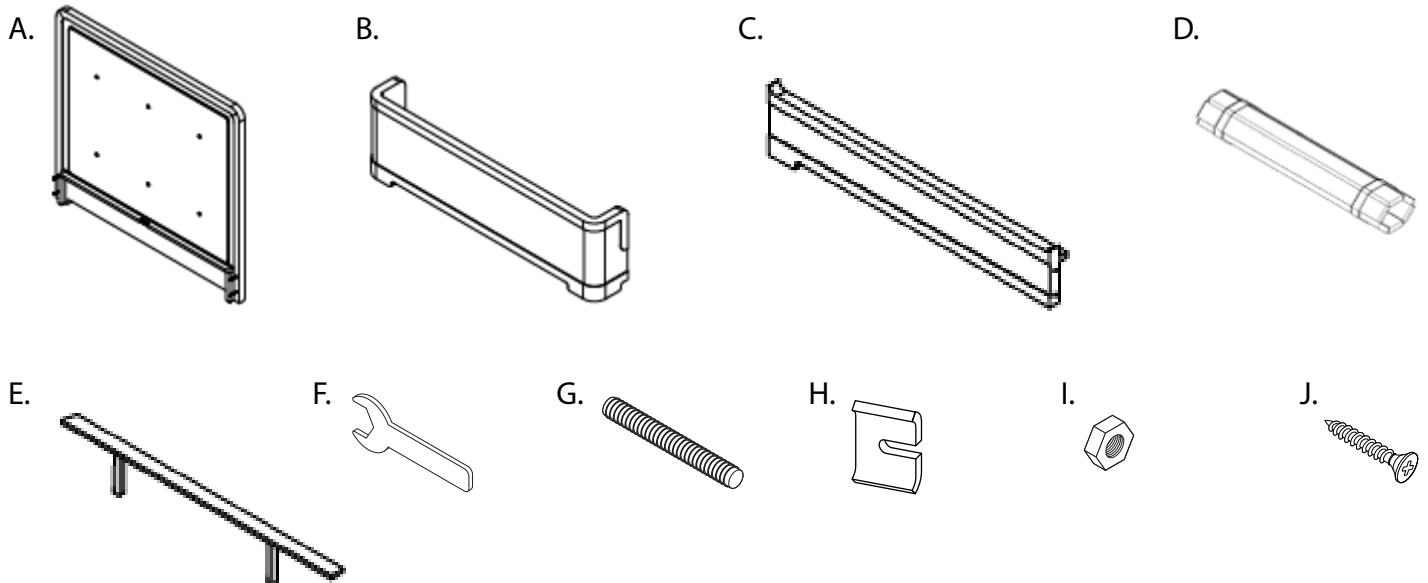


TOOLS NEEDED:

- A. Wrench (Included).
- B. Drill (Not included).

PARTS:

- A. Headboard (1x)
- B. Footboard (1x)
- C. Side rails (2x)
- D. Bed Slat roll (2x)
- E. Center Support Rail (1x)
- F. Wrench (1x)
- G. Threaded Bolt (8x)
- H. Washer (8x)
- I. Hex Nut (8x)
- J. J. Screw (8x)



CARE:

Dust with a soft dry cloth. Wipe up spills immediately. Clean with damp cloth. Do not use cleaning solutions or abrasives.

PALECEK™

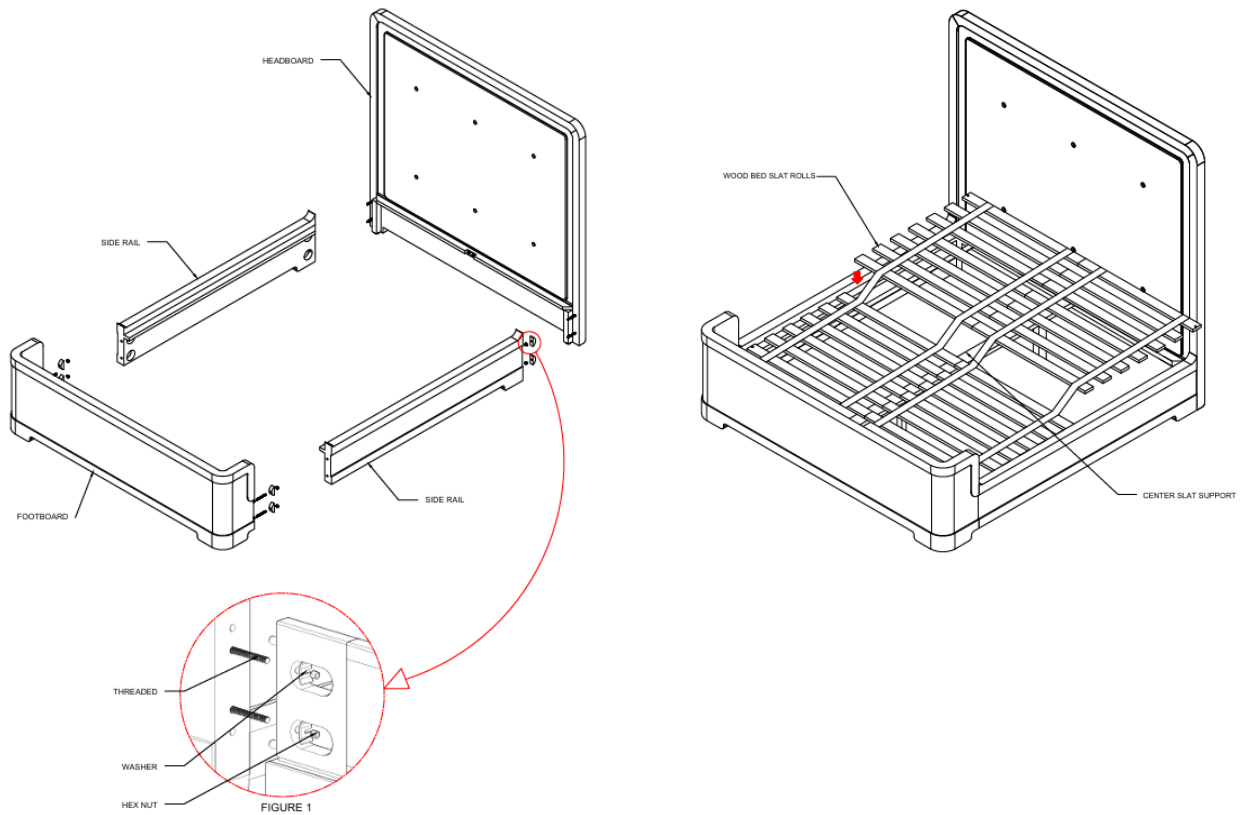
601 PARR BOULEVARD, RICHMOND, CA 94801

ARGENTA QUEEN BED ASSEMBLY INSTRUCTIONS

These instructions are provided for your convenience. It is very important that they are read carefully and completely before beginning installation of this item. (Applies to item 7691-03). Installation by two (2) persons recommended.

TO ASSEMBLE:

- Step 1). Remove all parts and hardware from the box along with any plastic protective packaging. Do not discard contents until after assembly is complete to avoid accidentally discarding small parts or hardware.
- Step 2). Place Headboard (A) in general vicinity of final location.
- Step 3). Insert Threaded Bolt (G) into threaded holes of Headboard (A). Twist until firm.
- Step 4). Locate alignment labels found on Side Rail (C) and Headboard (A) and make sure they match. Guide the Side Rail (C) holes over the Threaded Bolts (G) that are attached to Headboard (A).
- Step 5). Fit Washer (H) and Hex Nut (I) onto Threaded Bolt (G) and tighten using Wrench (F) provided.
- Step 6). Repeat Steps 2-5 for Footboard connection and the opposite Side Rail (Headboard and Footboard connections).
- Step 7). Install Center Slat Support (I) to Headboard and Footboard.
- Step 8). Install Wood Bed Slat Rolls (H) and use provided screws (J) to attach 1st and last bed slat from each roll.
- Step 9). Assembly complete.



CARE:

Dust with a soft dry cloth. Wipe up spills immediately. Clean with damp cloth. Do not use cleaning solutions or abrasives.