

# PALECEK™

601 PARR BOULEVARD, RICHMOND, CA 94801

## ASHER O.D. ROUND DINING TABLE ASSEMBLY INSTRUCTIONS

These instructions are provided for your convenience. It is very important that they are read carefully and completely before beginning installation of this item. (Applies to item 7683-79). Installation by four (4) persons recommended.

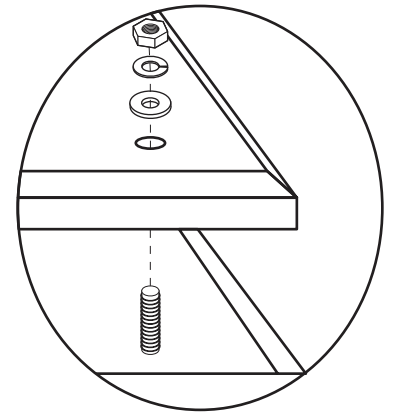


Fig. A

### PARTS:

- A. Table Top (1x).
- B. Table Base (1x).
- C. Washer (4x).
- D. Lock Washer (4x).
- E. Nut (4x).



### TOOLS NEEDED:

- F. Crescent Wrench (Not Included).

### TO ASSEMBLE:

- Step 1). Unpack boxes and ensure all parts are accounted for.
- Step 2). Place Table Top (A), upside-down on a soft, non-scratching surface like a blanket or carpeting.
- Step 3). Place Table Base (B), upside-down, into recess within Table Top (A), aligning the mending plate holes with the threaded posts.
- Step 4). Place Washer (C), Lock Washer (D), and Nut (E), over exposed threaded post and tighten with Crescent wrench (not included). Do not over tighten. (See Figure A).
- Step 5). Repeat for remaining three (3) threaded posts.
- Step 5). Turn assembled table in the upright position and place in desired location.
- Step 6). If the floor is uneven and the table wobbles, use the adjustable floor glides underneath table to make full contact with floor by rotating the floor glides.
- Step 7). Assembly complete.

### CARE:

Dust with a soft dry cloth. Wipe up spills immediately. Clean with damp cloth. Do not use cleaning solutions or abrasives.

T. 800.274.7730 | F.510.234.7234

PALECEK.COM