

PALECEK™

601 PARR BOULEVARD, RICHMOND, CA 94801

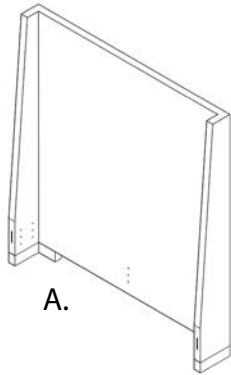
WOODSIDE SLEIGH BED ASSEMBLY INSTRUCTIONS

These instructions are provided for your convenience. It is very important that they are read carefully and completely before beginning installation of this item. (Applies to items 7646-01, 7671001). Installation by two (2) persons recommended.

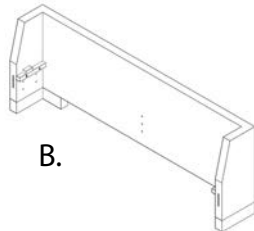


PARTS:

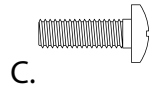
- A) Headboard (1x)
- B) Footboard (1x)
- C) Stove Bolt (2x)
- D) Wood Screw (12x)
- E) Side Rails (2x)
- F) Bed Slat Roll (1x)
- G) Center Support Rail (1x)



A.



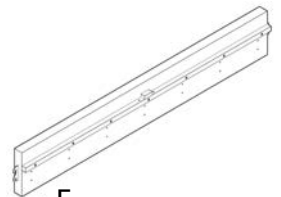
B.



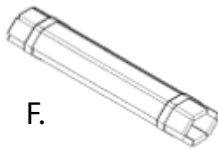
C.



D.



E.



F.



G.

PALECEK™

601 PARR BOULEVARD, RICHMOND, CA 94801

WOODSIDE SLEIGH BED ASSEMBLY INSTRUCTIONS

These instructions are provided for your convenience. It is very important that they are read carefully and completely before beginning installation of this item. (Applies to items 7646-01, 7671001). Installation by two (2) persons recommended.

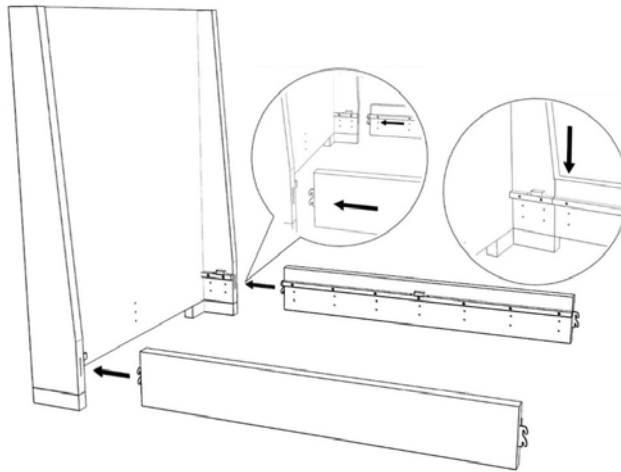
TOOLS NEEDED:

Phillips Head Screw Driver (NOT INCLUDED).

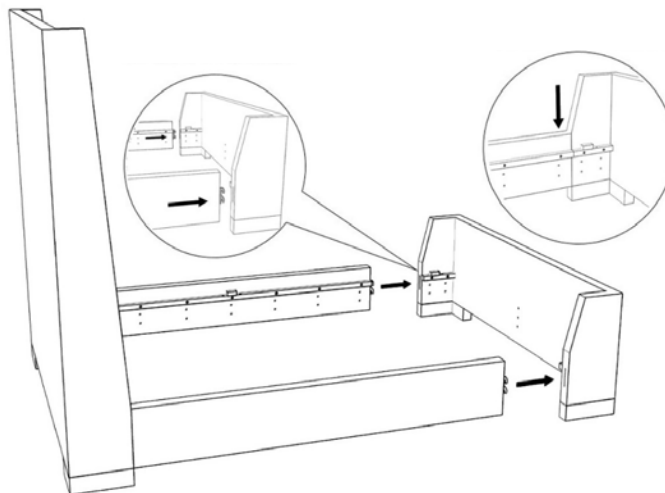
TO ASSEMBLE:

Step 1)-Unpack box and ensure all parts are accounted for. Do not discard packaging until bed is completely assembled.

Step 2)-Connect Side Rails (E) to Headboard (A), by inserting hooked end and firmly pushing downward.



Step 3)-Connect Side Rails (E) to Footboard (B), by inserting hooked end and firmly pushing downward.



PALECEK™

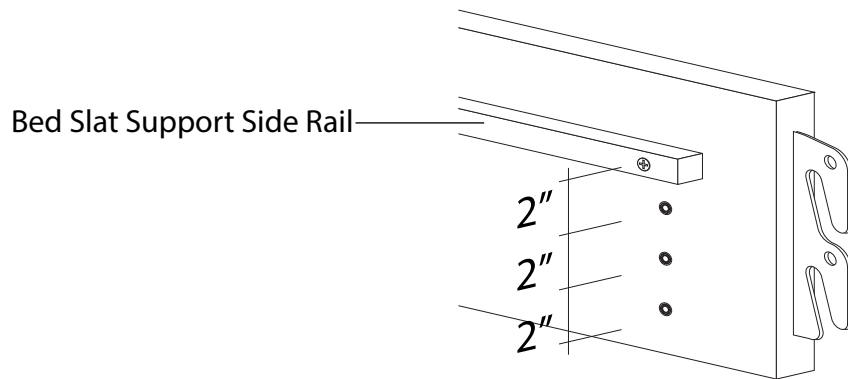
601 PARR BOULEVARD, RICHMOND, CA 94801

WOODSIDE SLEIGH BED ASSEMBLY INSTRUCTIONS

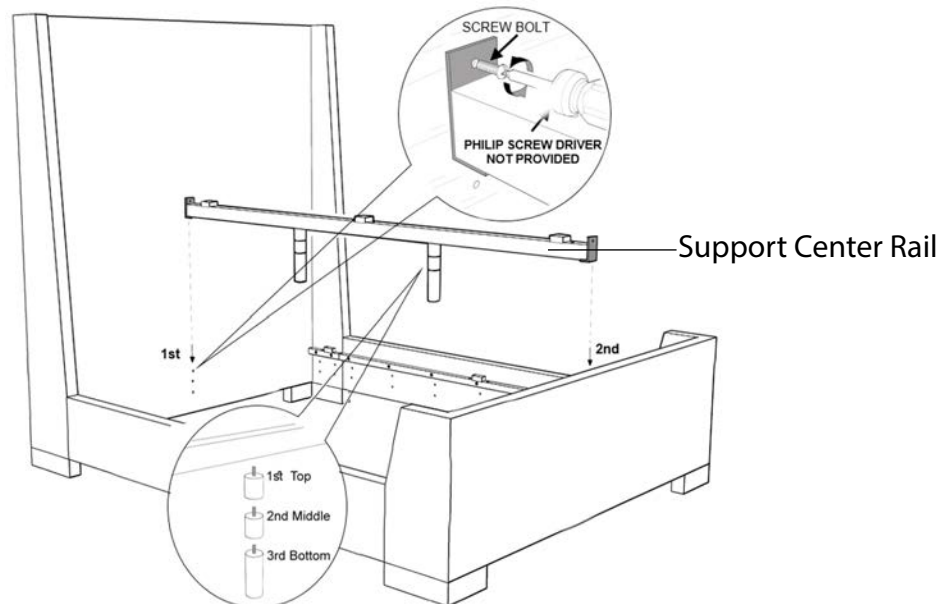
These instructions are provided for your convenience. It is very important that they are read carefully and completely before beginning installation of this item. (Applies to items 7646-01, 7671001). Installation by two (2) persons recommended.

TO ASSEMBLE (Cont):

Step 4)-Adjust bed slat support side rail by removing bolts, re-inserting at desired height, and firmly tightening bolts. Do not over-tighten. Heights adjust in 2" increments



Step 5)-Establish the height of the Center Support Rail (G) to match the bed slat support side rail (E), by removing and adjusting center leg sections as needed.



Step 6)- Insert a Stove Bolt (C) through the bracket into the Headboard (A) threaded insert and tighten firmly. Do not over-tighten. Repeat steps for attaching the Center Support Rail to the Footboard (B).

PALECEK™

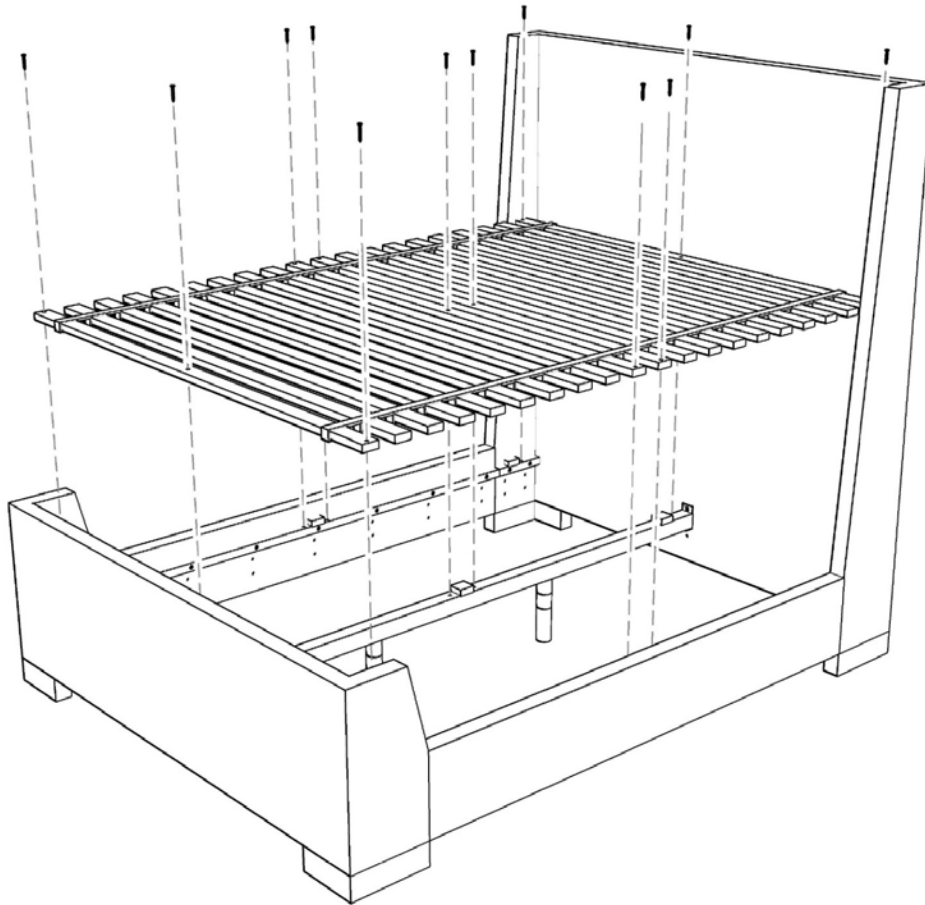
601 PARR BOULEVARD, RICHMOND, CA 94801

WOODSIDE SLEIGH BED ASSEMBLY INSTRUCTIONS

These instructions are provided for your convenience. It is very important that they are read carefully and completely before beginning installation of this item. (Applies to items 7646-01, 7671001). Installation by two (2) persons recommended.

TO ASSEMBLE (Cont):

Step 7)-Place Bed Slat Roll (F) onto Bed Slat Support rails. Align the slats (F) to the wood blocks on the Center Support Rail (G). Insert the Wood Screws (D), through pre-drilled holes to affix the bed slats to the support rails.



Step 8)-Assembly complete..

CARE:

Dust with a soft dry cloth. Wipe up spills immediately. Clean with damp cloth. Do not use cleaning solutions or abrasives.