

PALECEK™

601 PARR BOULEVARD, RICHMOND, CA 94801

CONRAD DINING TABLE, ANT GOLD ASSEMBLY INSTRUCTIONS

These instructions are provided for your convenience. It is very important that they are read carefully and completely before beginning installation of this item. Assembly by 2-3 persons recommended. (Applies to item 772800, 705300, 760800).

PARTS:	QTY:
#1. Table top	1 pc.
#2. Table base	1 pc.
#3. Allen wrench	1 pc.
#4. Allen bolt	8 pcs.
#5. Washer	8 pcs.



Figure A:

TO ASSEMBLE:

- 1). Unpack box contents onto a non-scratching surface.
- 2). Place the table top in an upside down position on a clean fabric near your desired location. (See Figure B for position)
- 3). Carefully position table base upside down onto table top with the holes aligned.
- 4). Insert the Allen bolts and washers into the holes, using the Allen wrench provided to tighten bolts. Do not over tighten.
- 5). Carefully turn the table into an upright position with 2-3 persons (recommended). (See Figure A for position)
- 6). **Use the adjustable levelers to ensure base does not wobble on uneven floor surface by rotating clockwise or counter-clockwise.**
- 7). Assembly complete.

Figure B:

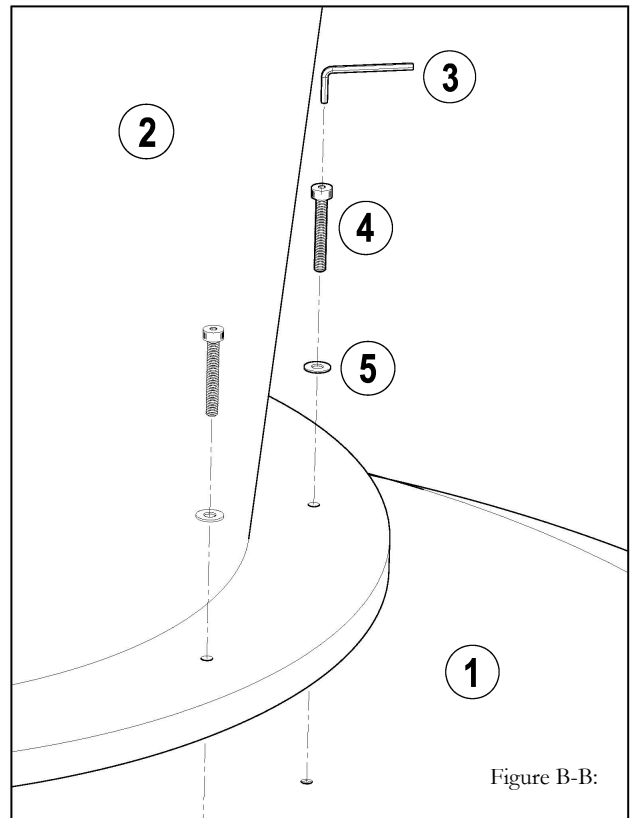
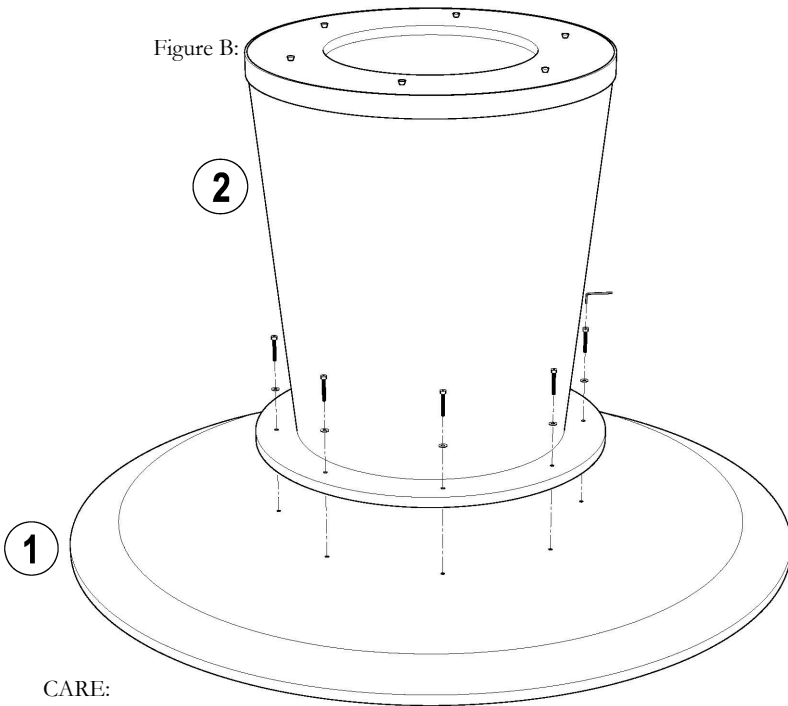


Figure B-B:

CARE:

Wipe up spills immediately. Do not use cleaning solutions or abrasives.