

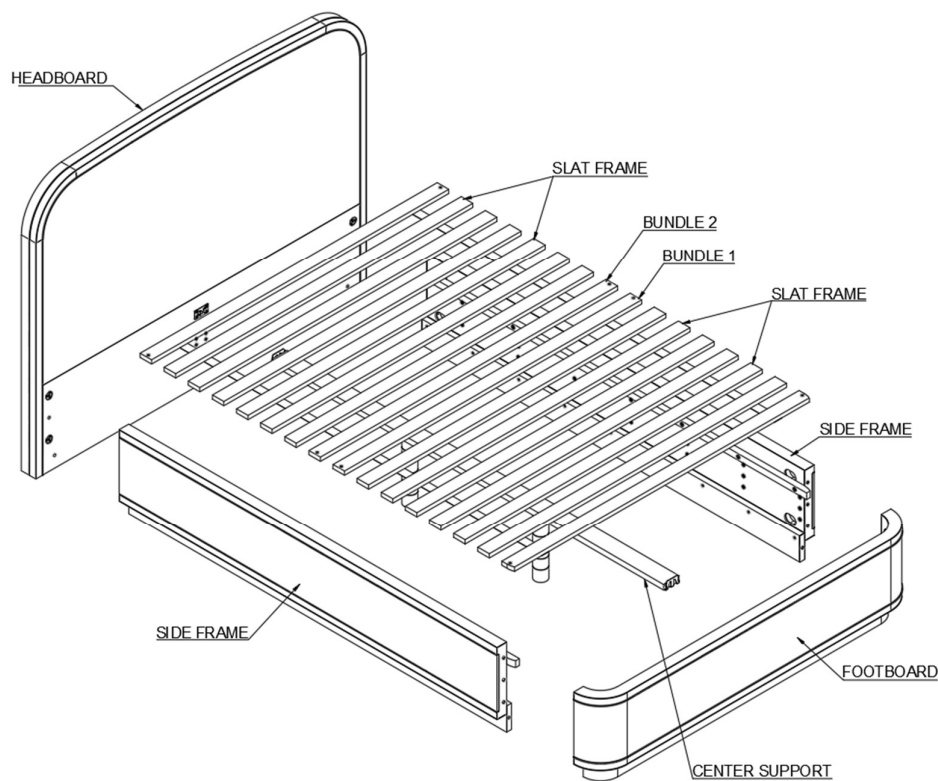
PALECEK

601 PARR BLVD. RICHMOND, CA 94801

740679- ASSEMBLY INSTRUCTIONS

Hardware included: 1 (8x) Steel bolt $\phi 8$ x 100mm
 2 (8x) Steel curve washer 2 x 18 x 35mm
 3 (8x) Spring washer $\phi 14$ x 2mm
 4 (8x) Steel nut 12 x 13 x 14mm
 5 (14x) Flat washer $\phi 12$ x 1mm (Re-Assembly)
 6 (14x) Spring washer $\phi 10$ x 3mm (Re-Assembly)
 7 (14x) Allen steel bolt M6 x 45 mm (Re-Assembly)
 8 (1x) Allen wrench 4 x 29 x 100mm
 9 (8x) Screw M4 x 30mm
 10 (1x) Wrench 10 x 28 x 165mm

Part included:



To install:

1. Unpack all parts and place them on a protected work surface.
2. Install Side Frames into Headboard and Footboard by using 8x steel bolts (1), 8x steel curve washers (2), 8x spring washers (3), 8x steel nuts (4), and wrench (10). Fully tighten all bolts. (FIGURE 1)
3. Install Center Support into Headboard and Footboard by fitting the male and female parts of the bracket together. (FIGURE 2)
4. Install Slat Frames into Frame then affix them with 8x screws (9) using a screwdriver. (FIGURE 3)

This bed is equipped with an adjustable height slat system. This allows different options for the overall height of your mattress (and box spring/foundation) as desired. Consider the overall height you prefer the top of mattress to be when selecting the position of the slats on the corresponding side rails.

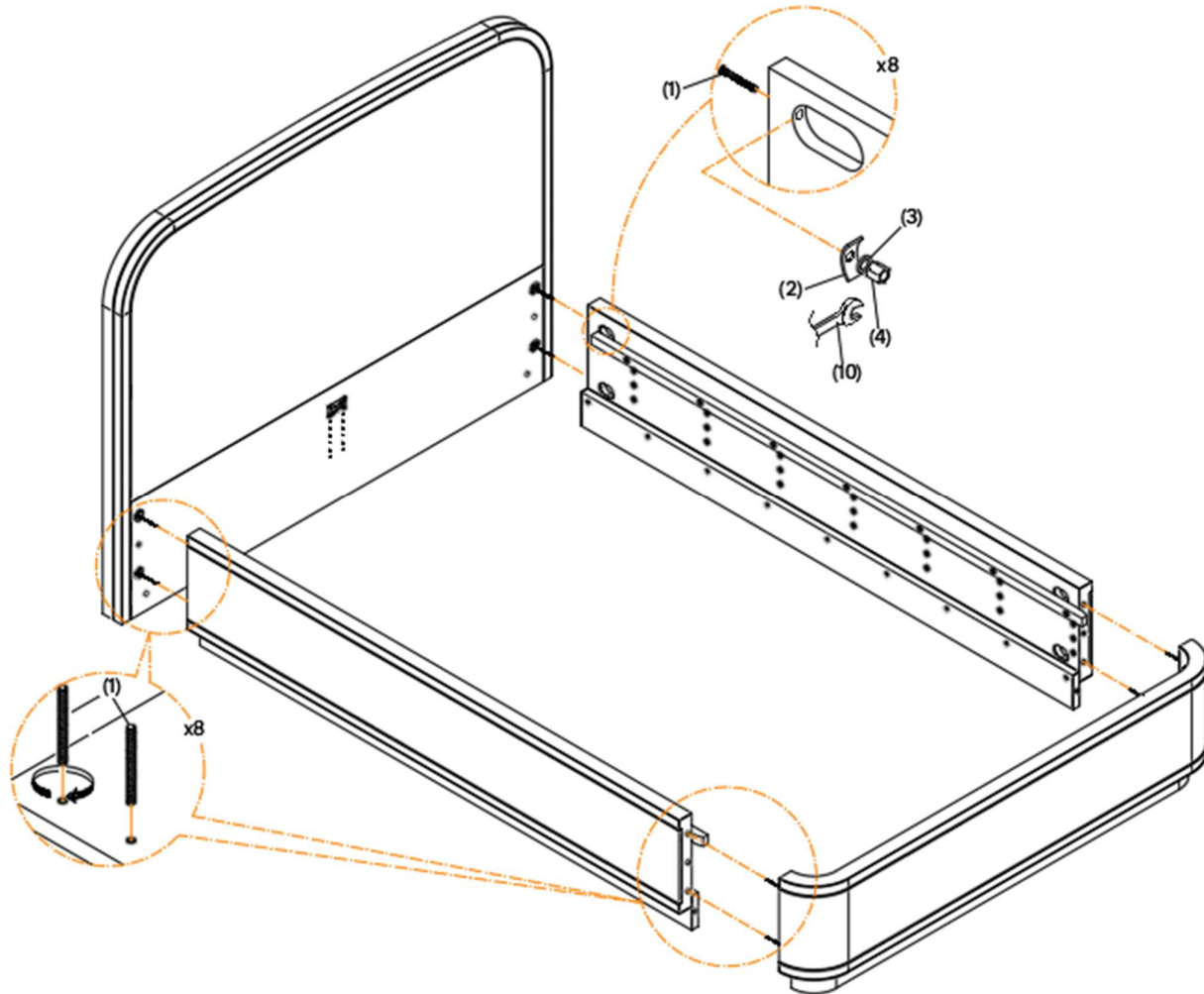
PALECEK

601 PARR BLVD. RICHMOND, CA 94801

740679- ASSEMBLY INSTRUCTIONS

FURNITURE TIPPING RESTRAINT

Figure 1

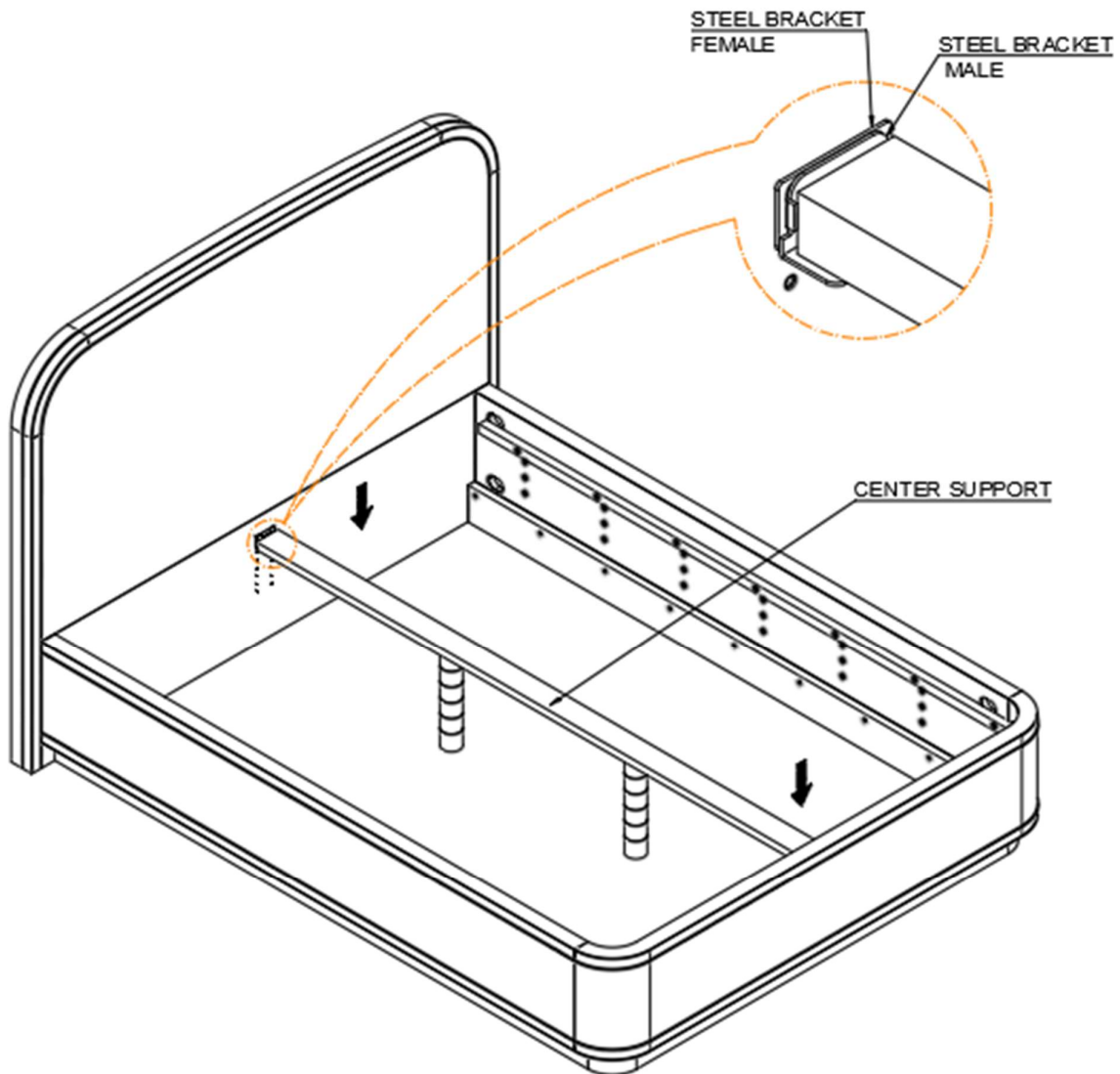


PALECEK

601 PARR BLVD. RICHMOND, CA 94801

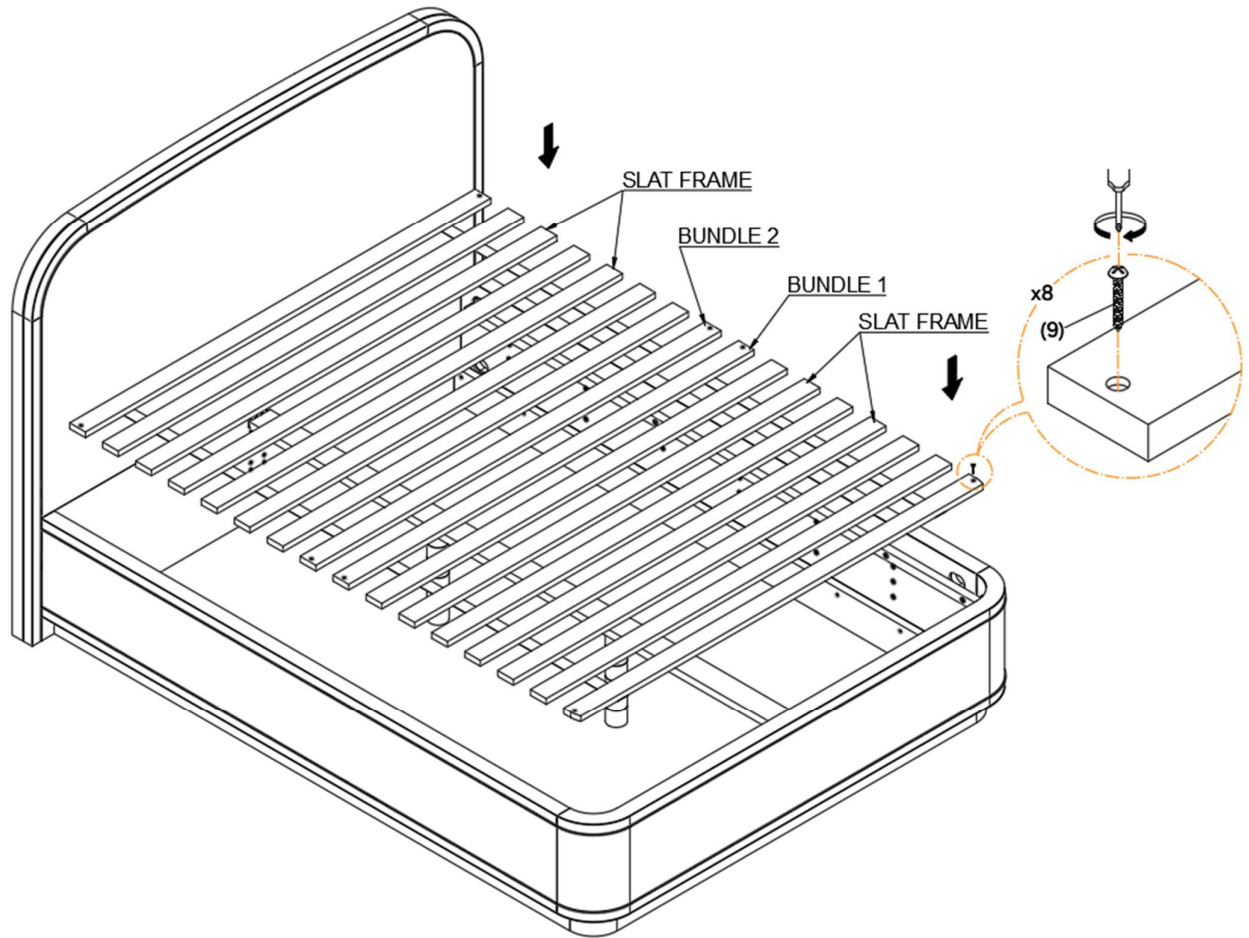
740679- ASSEMBLY INSTRUCTIONS

OPTION 1: HIGHEST LEVEL
Figure 2



740679- ASSEMBLY INSTRUCTIONS

Figure 3



PALECEK

601 PARR BLVD. RICHMOND, CA 94801

740679- ASSEMBLY INSTRUCTIONS

OPTION 2: HIGH LEVEL

Figure 4

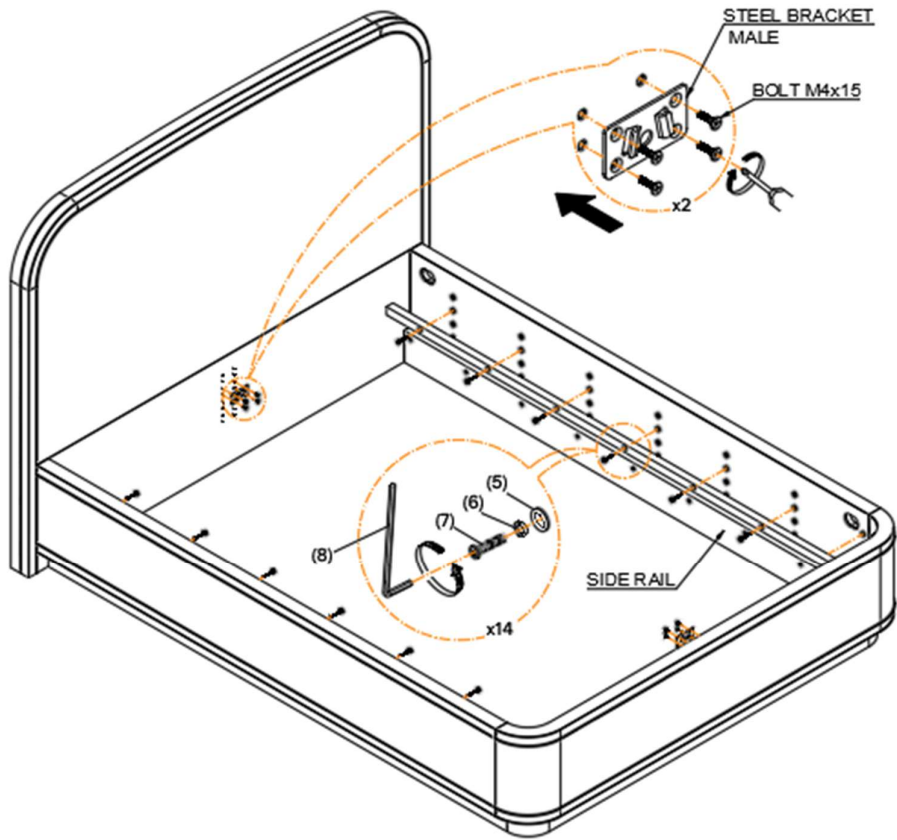
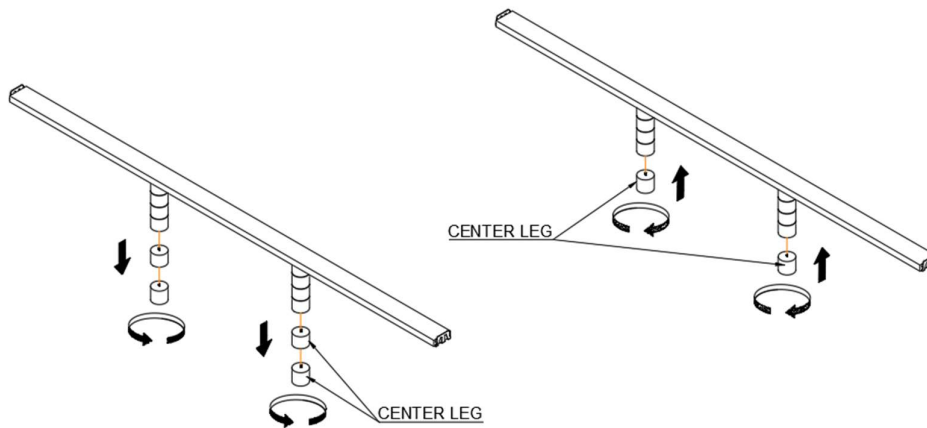


Figure 5



PALECEK

601 PARR BLVD. RICHMOND, CA 94801

740679- ASSEMBLY INSTRUCTIONS

OPTION 3: MEDIUM LEVEL

Figure 6

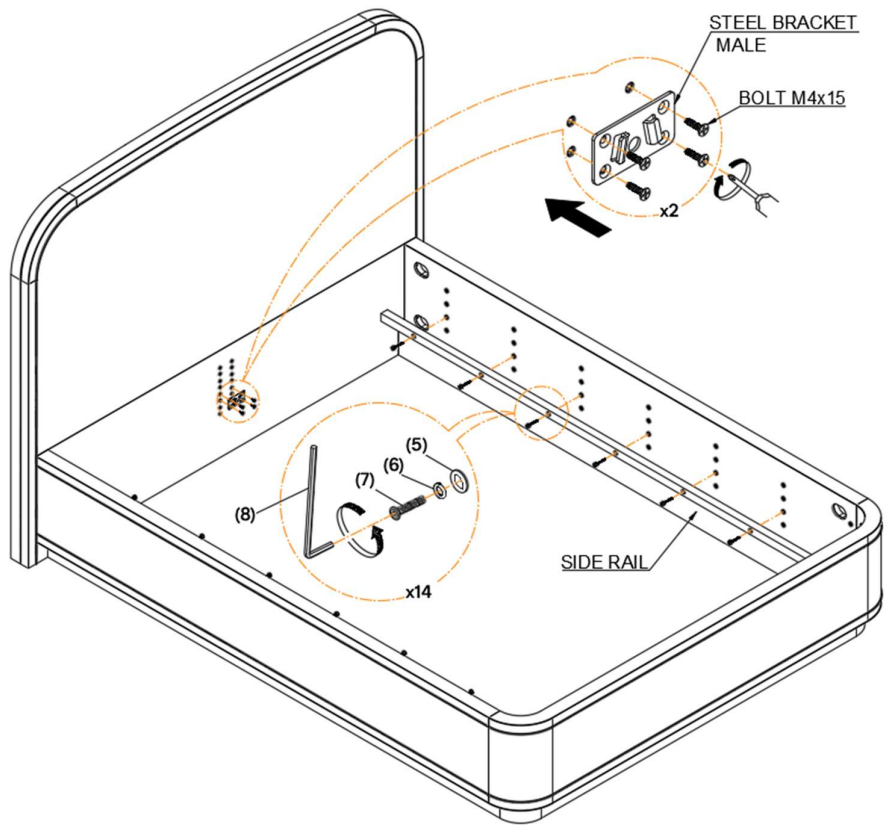
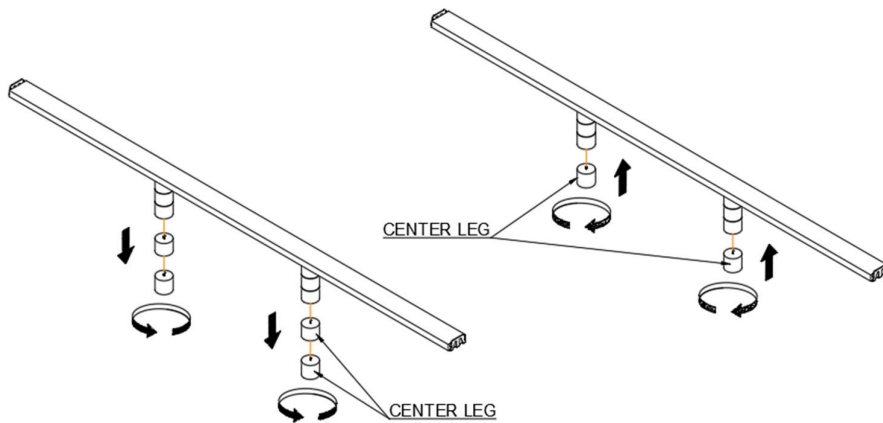


Figure 7



PALECEK

601 PARR BLVD. RICHMOND, CA 94801

740679- ASSEMBLY INSTRUCTIONS

OPTION 4: LOWEST LEVEL

Figure 8

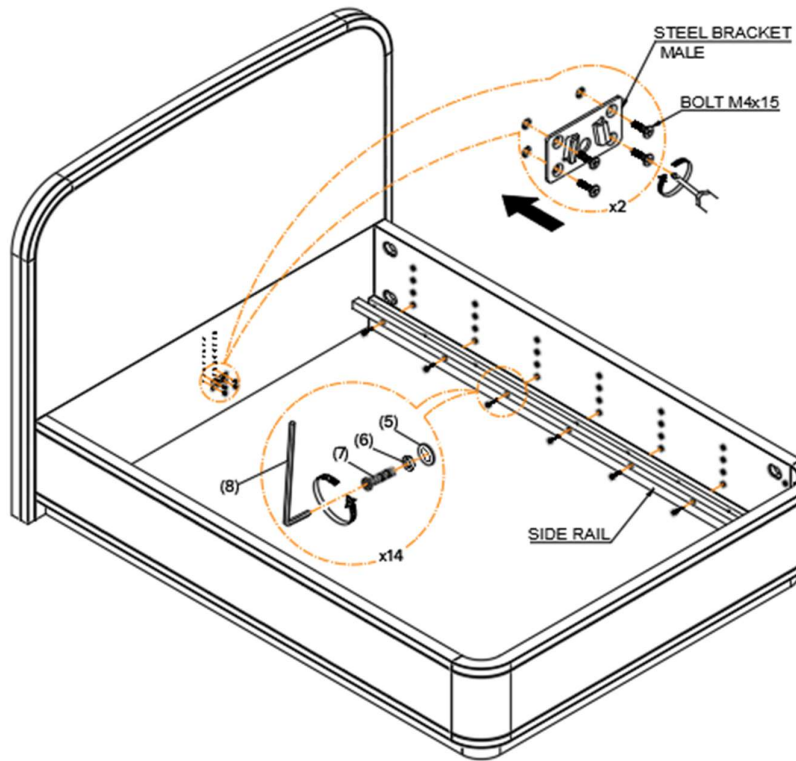
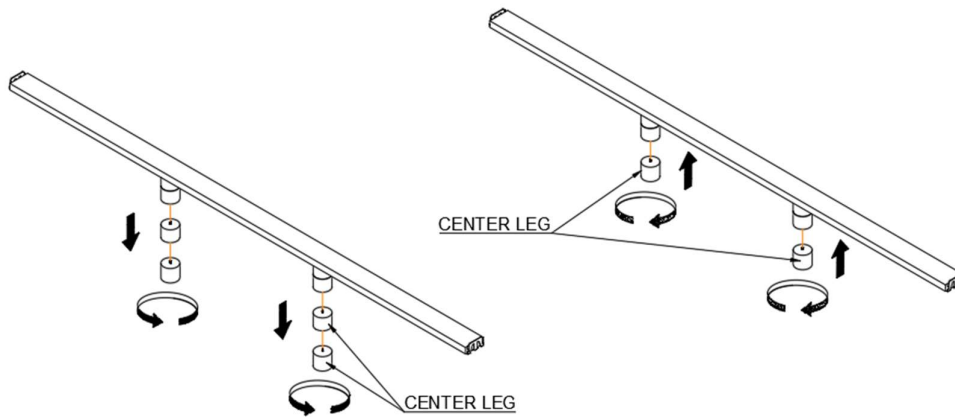


Figure 9

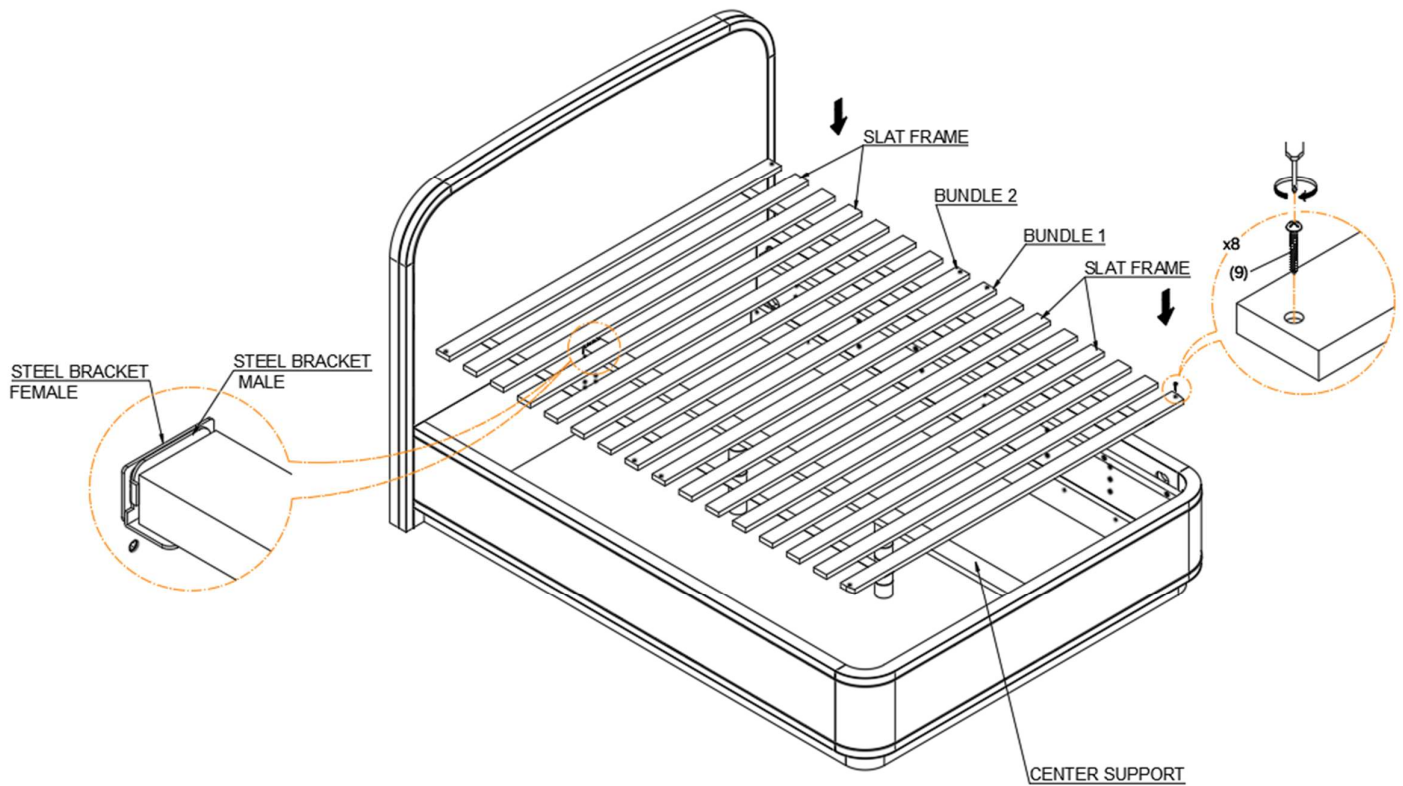


PALECEK

601 PARR BLVD. RICHMOND, CA 94801

740679- ASSEMBLY INSTRUCTIONS

Figure 10



PALECEK

601 PARR BLVD. RICHMOND, CA 94801

740679- ASSEMBLY INSTRUCTIONS

Figure 11

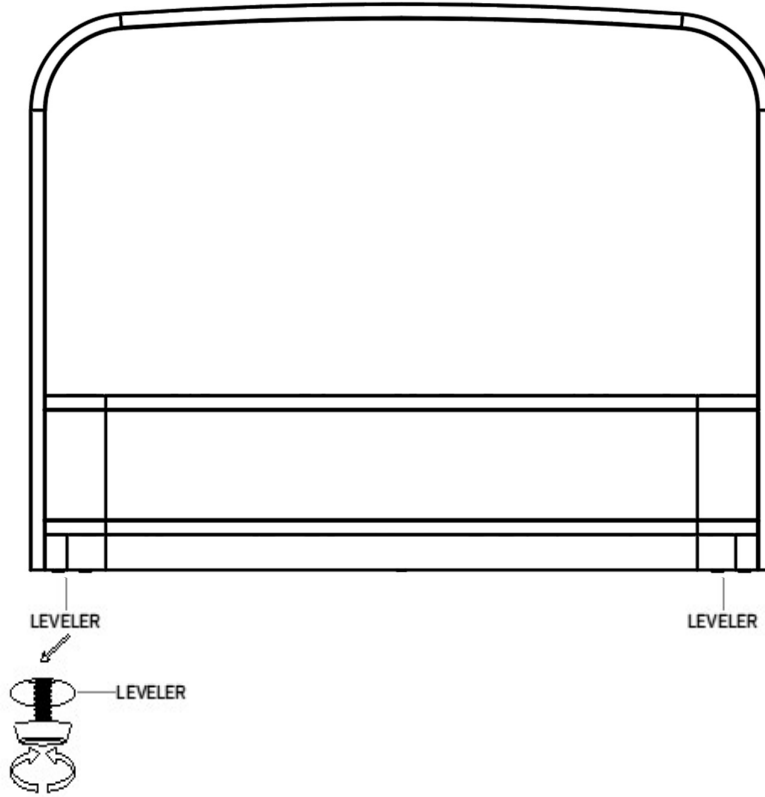
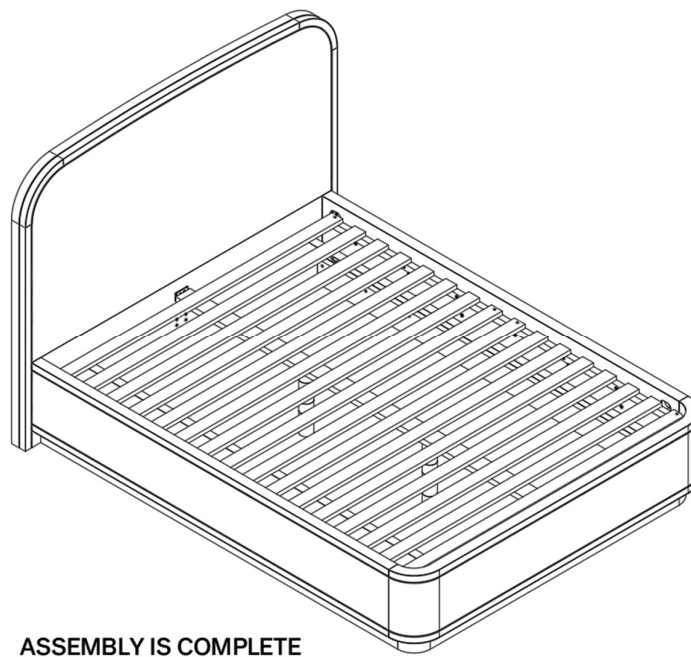


Figure 12



ASSEMBLY IS COMPLETE