

PALECEK™

601 PARR BOULEVARD, RICHMOND, CA 94801

GENTRY BED ASSEMBLY INSTRUCTIONS

These instructions are provided for your convenience. It is very important that they are read carefully and completely before beginning installation of this item. (Applies to items 7250-00, 7251-00)

PARTS:

- A. Headboard x1
- B. Foot board x1
- C. Side rails x2
- D. Center support rail x1
- E. Bed slats x5
- F. Screws x4

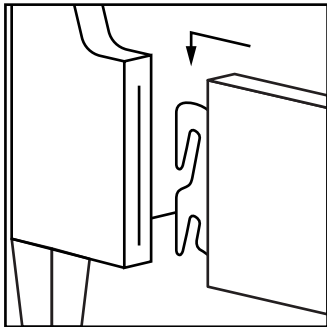


TOOLS NEEDED:

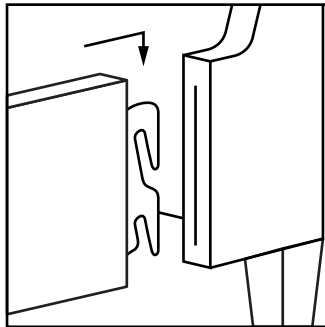
1. Phillips head screw driver (not included).

ITEM 7250-00, 7251-00

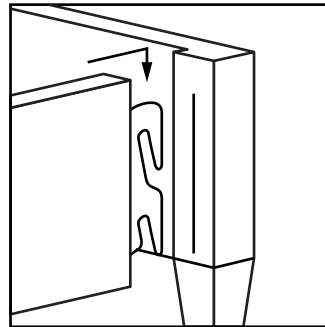
TO ASSEMBLE:



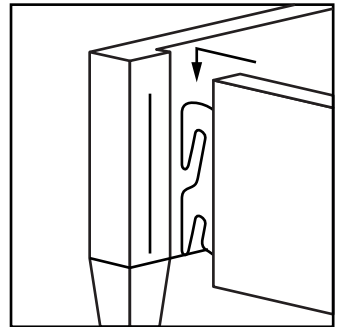
STEP 1:
Insert hooks from **Left Head Rail** into **Left Head Board Wing**.



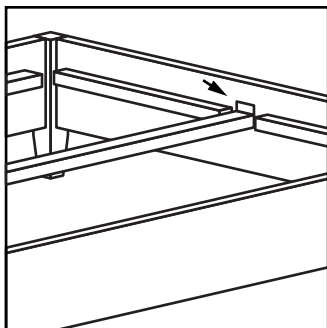
STEP 2:
Insert hooks from **Right Head Rail** into **Right Head Board Wing**.



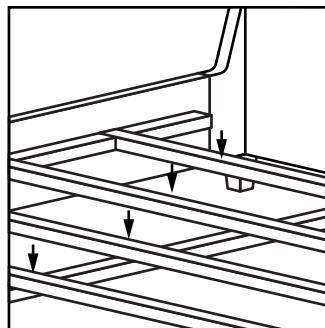
STEP 3:
Insert hooks from **Left Foot Rail** into **Left Foot Board Post**.



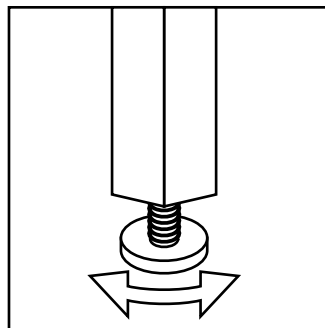
STEP 4:
Insert hooks from **Right Foot Rail** into **Right Foot Board Post**.



STEP 5:
Attach **Center Slat Support** to **Head Board** and **Foot Board**, using provided screws, using Phillips head screw driver.



STEP 6:
Insert Bed Slats into **Side Rails**.



STEP 7:
Adjust center slat support leveler to make contact with floor.
Assembly complete.

CARE: Dust with a soft dry cloth. Do not use cleaning solutions or abrasives.