

PALECEK™

601 PARR BOULEVARD, RICHMOND, CA 94801

ALERIA DINING TABLE INSTALLATION INSTRUCTIONS

These instructions are provided for your convenience. It is very important that they are read carefully and completely before beginning installation of this item. (Applies to Aleria dining table 7201-79)



PARTS:

- A. Table Top x1
- B. Table base. x1
- C. Screws x16

TOOLS NEEDED:

1. Phillips head screw driver (not included).

TO ASSEMBLE: Assembly by two (2) people recommended.

1. Unpack components on a non-scratching surface.
2. Place Table Top (A) upside down on a non-scratching surface.
3. Place Table Base (B) upside down onto the Table Top (A), aligning the marked hole locations (Fig 1).
4. Using a phillips screw driver, proceed to screw the Table Base (B) to the Table Top (A) using the included Screws (C).
5. Turn Aleria dining table right side up and place in desired location.
6. If table wobbles on uneven floor, use the adjustable levelers on underside of Table Base (C) to make full contact with floor by rotating counter-clockwise.
7. Assembly complete.

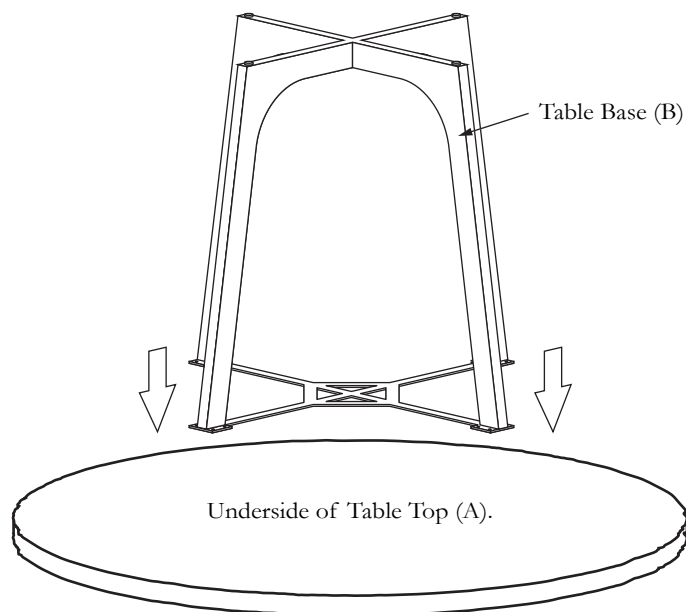


Fig. 1

CARE:

Dust with a soft dry cloth. Do not use cleaning solutions or abrasives.