

# PALECEK

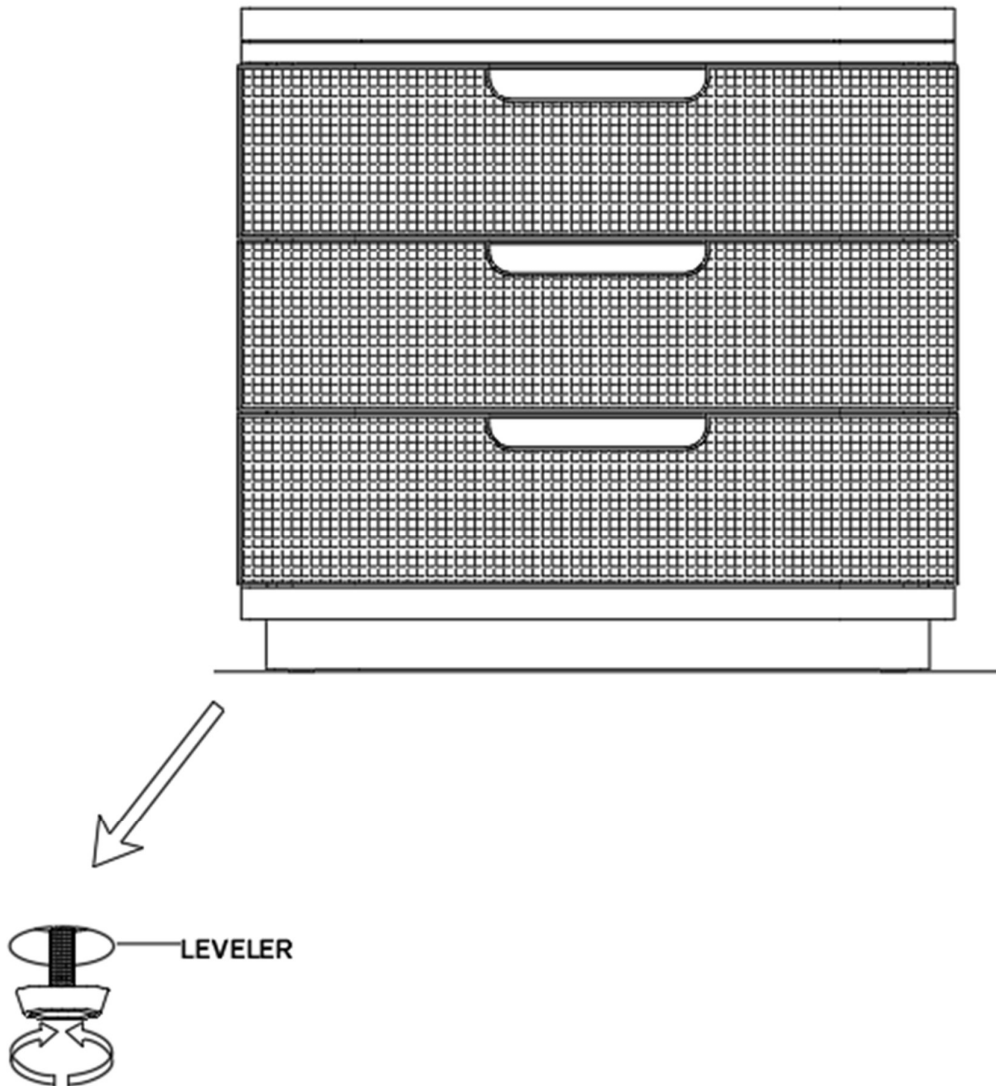
601 PARR BLVD. RICHMOND, CA 94801

## 710879 - ASSEMBLY INSTRUCTIONS

### FURNITURE TIPPING RESTRAINT

When the nighstand is installed in position, the levelers at the bottom of the feet may need adjusting to ensure the nighstand is level and the drawers line up and function correctly. (FIGURE 1)

Figure1



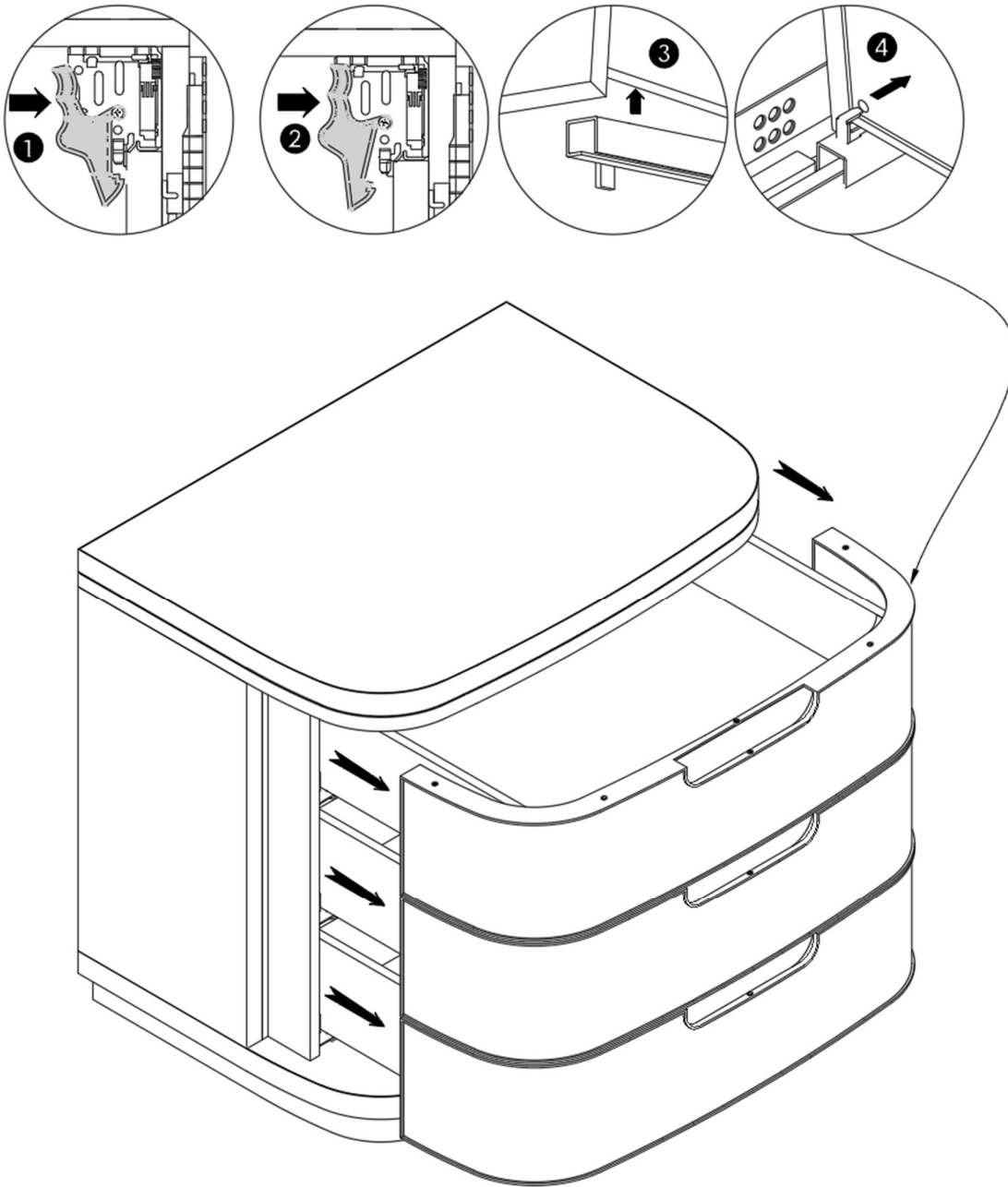
# PALECEK

601 PARR BLVD. RICHMOND, CA 94801

## 710879 - ASSEMBLY INSTRUCTIONS

### INSTRUCTIONS FOR DRAWER

#### STEP 1: DRAWER REMOVAL INSTRUCTIONS

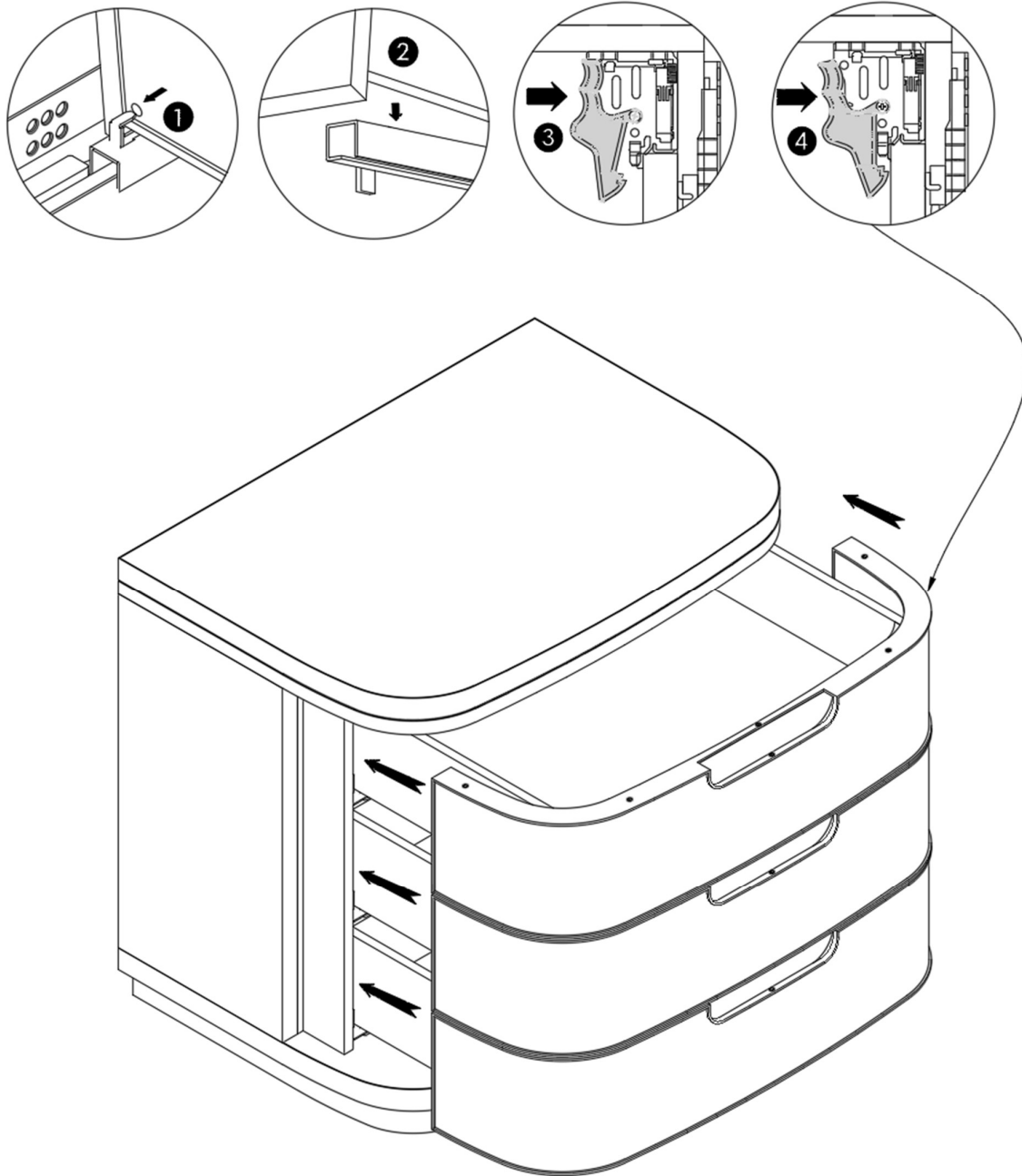


# PALECEK

601 PARR BLVD. RICHMOND, CA 94801

## 710879 - ASSEMBLY INSTRUCTIONS

### STEP 2: DRAWER ASSEMBLY INSTRUCTIONS



# PALECEK

601 PARR BLVD. RICHMOND, CA 94801

## 710879 - ASSEMBLY INSTRUCTIONS

### STEP 3: DRAWER HEIGHT ADJUSTMENT INSTRUCTIONS

