

PALECEK™

601 PARR BOULEVARD, RICHMOND, CA 94801

LARGO DINING TABLE ASSEMBLY INSTRUCTIONS

These instructions are provided for your convenience. It is very important that they are read carefully and completely before beginning installation of this item. Assembly by 2-3 persons recommended. (Applies to item 7087-03, 7087-18)

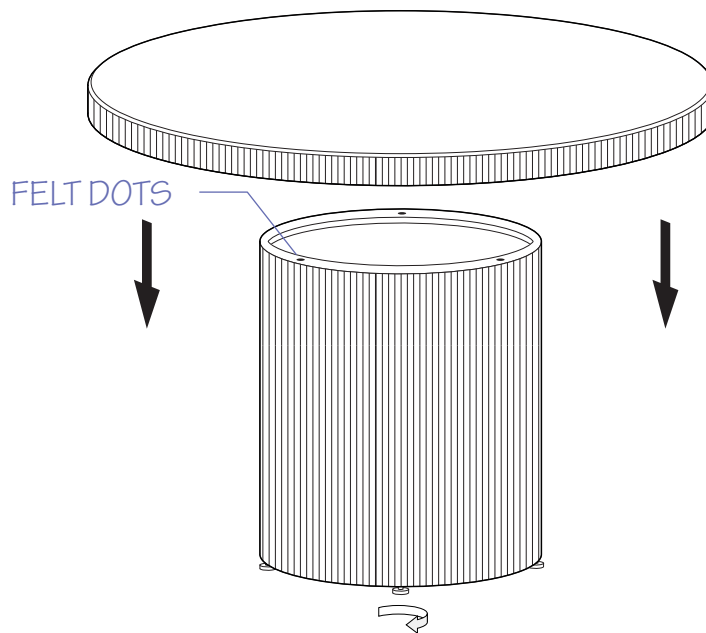
PARTS:

1. Table top.
2. Table base.



TO ASSEMBLE:

- 1). Unpack box contents onto a scratch free surface.
- 2). Place base in desired location.
- 3). Apply round felt dots at three equally spaced locations on the top rim of the base.
- 4). Carefully place top onto base, gently lowering until the top sits firmly onto the base within the alignment blocks molded to the underside of the table top.
- 5). **Use the adjustable levelers to ensure base does not wobble on uneven floor surface, by rotating clockwise or counter-clockwise.**
- 6). Assembly complete.



CARE:

Wipe up spills immediately. Do not use cleaning solutions or abrasives.

T. 800.274.7730 | F. 510.234.7234

PALECEK.COM