

---

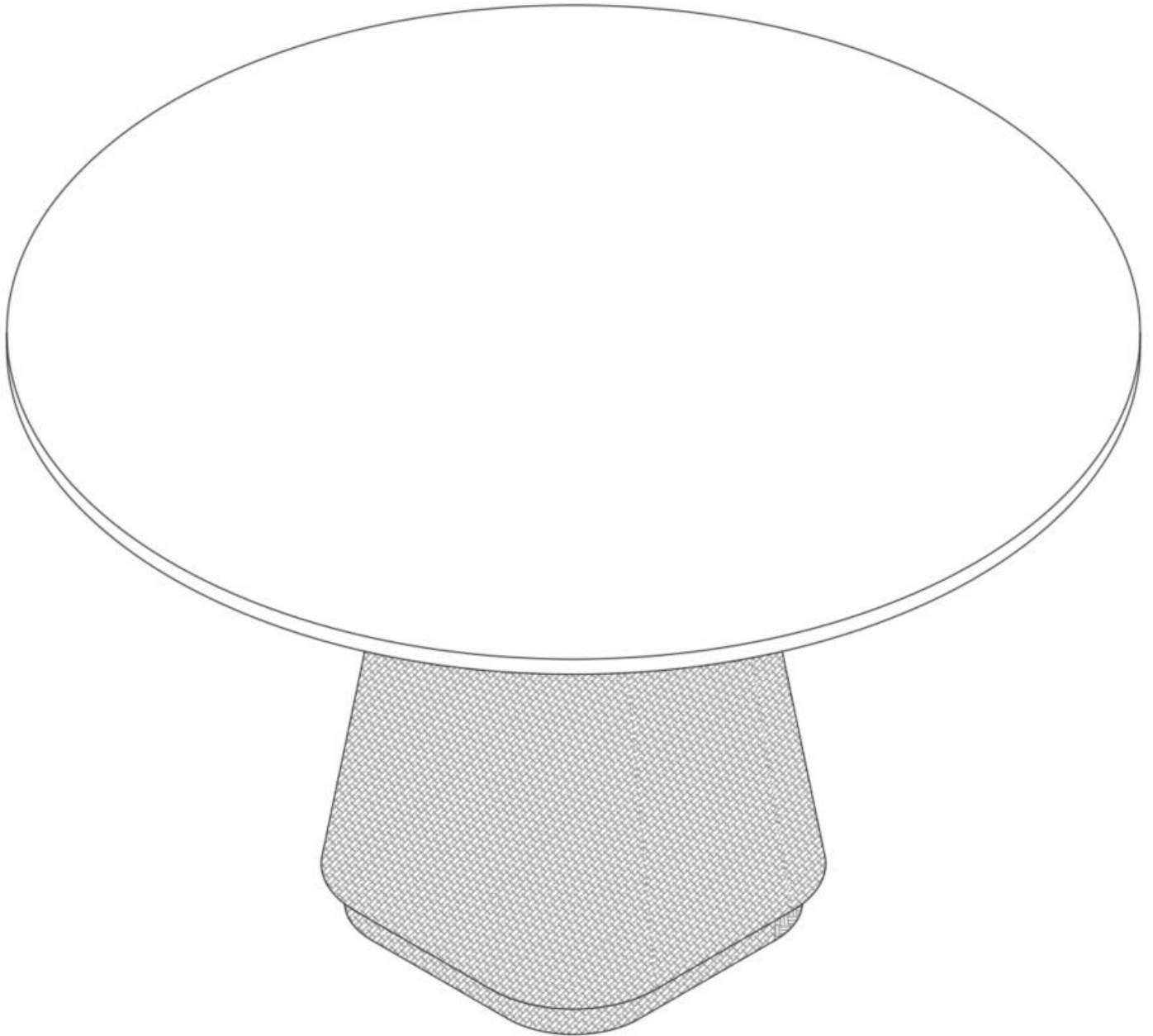
# PALECEK®

601 PARR BOULEVARD, RICHMOND, CA 94801

---

## PALECEK STUDIO

---



ASSEMBLY INSTRUCTIONS

### **Inverness Table Small**

## PALECEK STUDIO

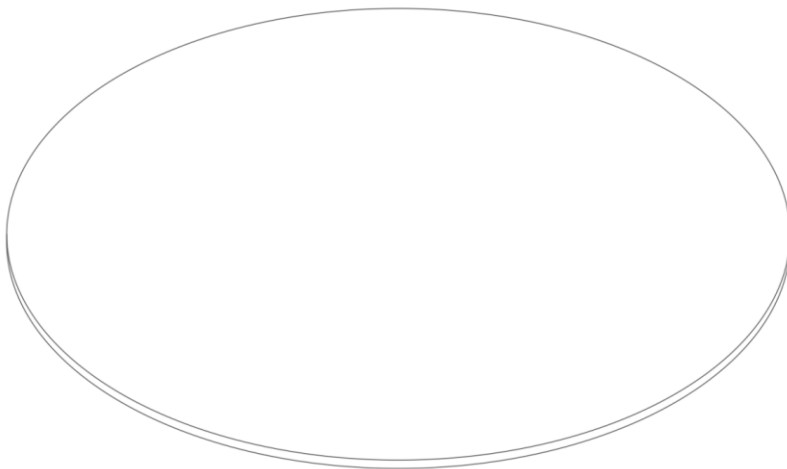
### Warning:

- These instructions are provided for your convenience.
- It is very important that they are read carefully and completely before beginning assembly of this item.
- Do not dispose of any packaging or contents of the shipping carton until assembly is completed to avoid accidentally discarding small parts or hardware.
- These parts are cumbersome and heavy. Therefore, three or more people are recommended in order to prevent personal injury and ensure the parts are not damaged during assembly process.
- Assemble your item on a flat, carpeted area, with plenty of space to work. This will prevent damage and scratches to your floors or the item while assembling the product.

### Furniture Components & Provided Hardware:

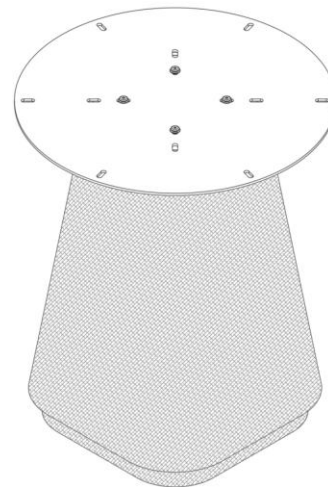
**Table Top**

**A**



**Table Base with Mending Plate**

**B**



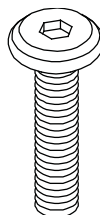
**C**



**8x**

**Flat Washer**

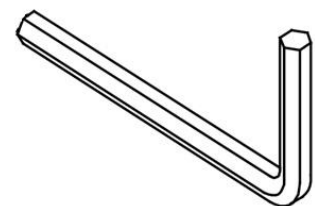
**D**



**8x**

**Hex Bolt**

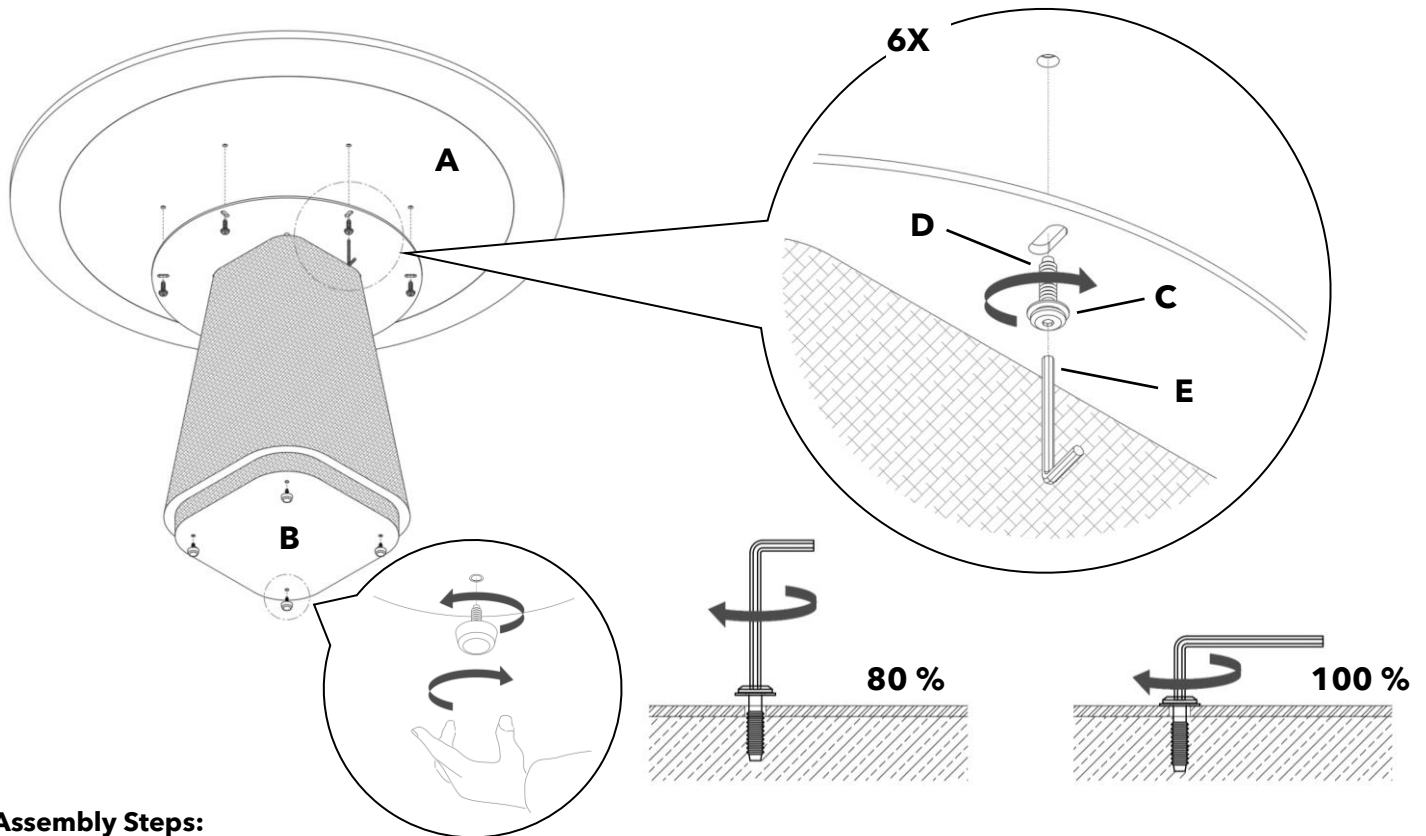
**E**



**1x**

**Allen Key**

## PALECEK STUDIO



### Assembly Steps:

1. Move the base to its final location and keep it upright. Do not flip the base upside down, as it contains heavy internal weight loaders designed to support various tabletop materials and sizes.
2. With the help of another person, carefully lower the tabletop onto the base, aligning the recessed area over the mending plate.
3. Gently rotate or pivot the tabletop as needed until the bolt holes between the base and the tabletop are properly aligned.
4. Partially insert all bolts through the washers and mending plate and into the threaded inserts or pre-drilled holes. This ensures proper alignment before tightening.
5. Once all bolts are in place, use the Allen key to tighten them evenly. Do not overtighten to avoid damaging the hardware or tabletop.
6. Turn each leveler clockwise or counterclockwise to raise or lower it until the table sits evenly and is stable on the floor.
7. Make sure all bolts are tightened, the table is level, and there is no wobble before use.

### Care Instructions:

- Dust with a soft dry cloth.
- Wipe up spills immediately.
- Clean with mild soapy water on a damp cloth.
- Do not use cleaning solutions or abrasives.