

PALECEK®

601 PARR BOULEVARD | RICHMOND | CA 94801

PENDANT INSTALLATION INSTRUCTIONS

Ibiza Chandelier

290479

PROFESSIONAL INSTALLATION REQUIRED

CAUTION: BEFORE INSTALLING FIXTURE, MAKE SURE THE POWER TO THE CIRCUIT IS TURNED OFF AT THE MAIN FUSE BOX / CIRCUIT BREAKER UTILITY BOX.

Important Safety Instructions:

- These instructions are provided for your safety. It is important that they are read carefully before use to ensure safe operation of the product.
- Installation by a licensed professional electrician required.
- THIS PRODUCT MUST BE INSTALLED IN ACCORDANCE WITH THE APPLICABLE INSTALLATION CODES BY A PERSON FAMILIAR WITH THE CONSTRUCTION AND OPERATION OF THE PRODUCT AND THE HAZARDS INVOLVED.
- The lighting fixture is meant for indoor use. It must be connected only to 3-wire, single-phase electrical supply systems (provided with Ground wire or equivalent protection system).
- For your safety, it is strongly recommended that two people install the lighting fixture.
- This fixture has been rated for up to eight (8) **40-watt maximum Type B standard incandescent light bulbs** (not included) or eight (8) **4.5-watt maximum SBLED light bulbs** (not included). To avoid the risk of fire, do not exceed the recommended lamp wattage.
- The lighting fixture is meant for indoor use, DRY LOCATIONS ONLY.
- **Save these instructions.**

WARNING:

- **To reduce the risk of fire, electrical shock or personal injury, always turn off light fixture and allow it to cool prior to replacing light bulb.**
- **Do not touch bulb when fixture is turned on. Do not look directly at lit bulb.**
- **Keep flammable materials away from lit bulb.**
- **Check the cable properly for any loose or damaged connections.**
- **When the unit is no longer functioning, do not attempt to fix it by yourself. Only a qualified technician is allowed to disassemble and repair.**
- **If the external flexible cable cord of this luminaire is damaged it shall be exclusively replaced by a qualified electrician in order to avoid hazard.**

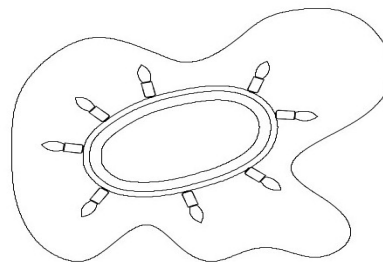
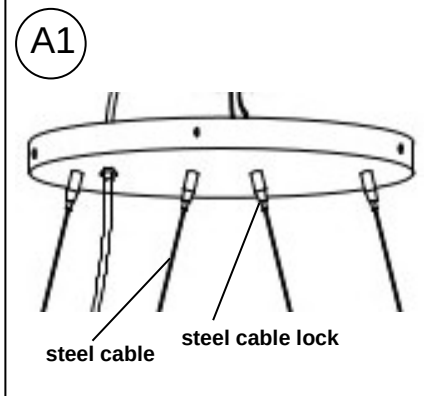
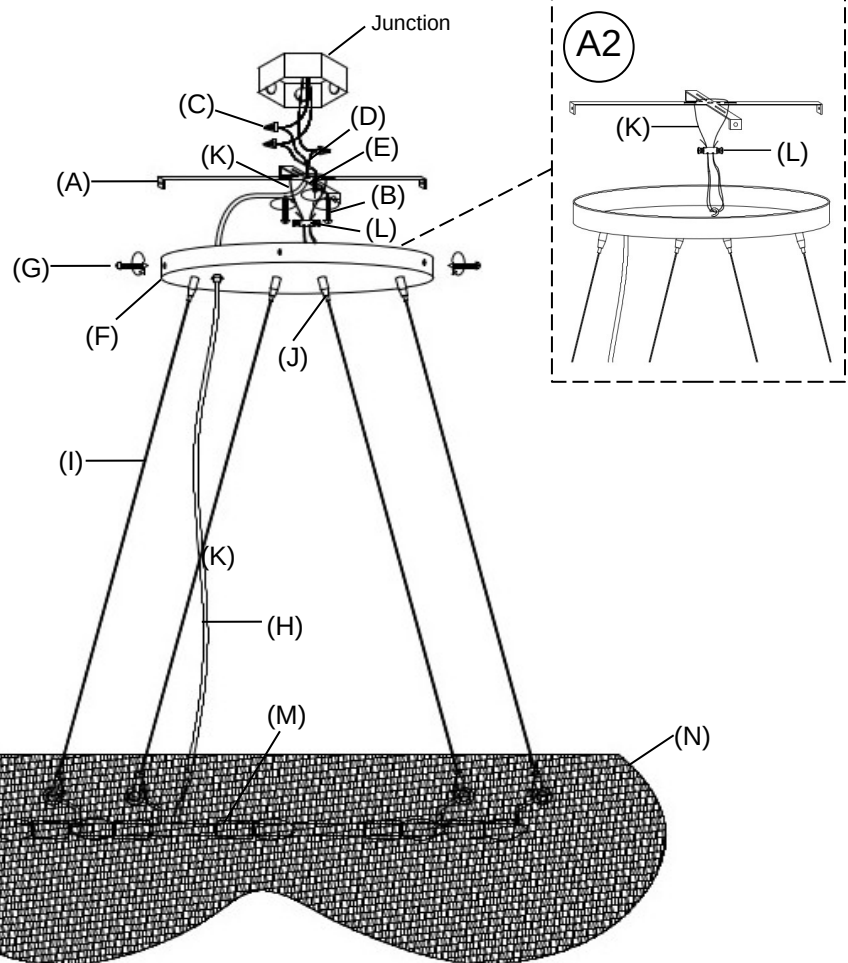
Pre-Assembly:

- Remove all parts and hardware from the box along with any plastic protective packaging. Do not discard contents until after assembly is complete to avoid accidentally discarding small parts or hardware.
- For your safety and convenience, assembly by two people is recommended.
- Determine the distance to suspend your pendant from the ceiling. If necessary, adjust the steel cable to your desired length. Press the steel cable lock upward and pull the steel cable to adjust the length, release the lock to tighten (See A1). Using a Side Cutter Plier, cut the excess steel cable.
- Above the canopy, measure an additional 6" of electrical cord. Cut and discard any excess electrical cord. Starting at the cut end carefully strip the cord's outside insulation to expose about half of the cord above the canopy. Next, strip approximately 3/4" of the insulation on both of the inner cords.

TOOLS REQUIRED (not included): Ladder, Phillips Head & Flat Blade Screwdrivers, Side Cutter Plier, Wire Stripper & Electrical Tape.

Parts List:

- A) Mounting Plate
- B) Mounting Screws (2x)
- C) Wire Connectors (3x)
- D) Ground Wire
- E) Ground Screw
- F) Canopy
- G) Canopy Screws (4x)
- H) Fixture Wire
- I) Steel Cable (4x)
- J) Steel Cable Lock (4x)
- K) Safety Cable
- L) Cable Lock Nut
- M) E12 Sockets (8x)
- N) Decorative Shade



Installation Instructions:

1. **SHUT OFF THE MAIN ELECTRICAL SUPPLY FROM THE MAIN FUSE BOX/CIRCUIT BREAKER.**
2. Carefully remove all parts from the box and lay them on a clean, soft surface.
3. Remove the Mounting Plate (A) from the Canopy (F) by loosening the Canopy Screws (G) with a screwdriver.
4. Gently pull existing wires down from the ceiling junction box and allow them to hang.
5. Secure the Mounting Plate (A) to the Junction Box with the Mounting Screws (B). Tighten until snug.
NOTE: The Safety Cable (K) will secure the fixture for the inspection of branch circuit connections after installation. To adjust the Safety Cable (K), loosen the screws of the Cable Lock Nut (L) and adjust it according to your desired length. Insert screws into both holes on Cable Lock Nut (L) and tighten it using screwdriver. The length of the lamp's fixture wires should be longer than the length of the safety cable (See A2).
6. Establish electrical connections:
 - a) Carefully inspect the fixture wires. The NEUTRAL FIXTURE WIRE has WHITE insulation. The HOT FIXTURE WIRE has BLACK insulation and the GROUND WIRE has GREEN insulation.
 - b) With the help of another person to hold the weight of the fixture, attach the fixture wires to the junction box wires.
 - c) Firstly, wrap the fixture's ground wire from Power Supply Cord around the Green Ground Screw (E) on the Mounting Plate (A), and tighten screw to secure the wire. Then connect this fixture's ground wire from Power Supply Cord to the GROUND J-BOX WIRE (usually green insulation or bare wire) with a Wire Connector (C) and wrap the connection with electrical tape. Be sure that no wire strands are exposed.
 - d) Connect the NEUTRAL FIXTURE WIRE to the NEUTRAL JUNCTION BOX WIRE (usually white or ribbed insulation). Fasten each together with a Wire Connector (C) and wrap the connection with electrical tape. Be sure that no wire strands are exposed.
 - e) Connect the HOT FIXTURE WIRE to the HOT JUNCTION BOX WIRE (usually black or smooth insulation). Fasten each together with a Wire Connector (C) and wrap the connection with electrical tape. Be sure that no wire strands are exposed. **DO NOT REVERSE THE HOT AND NEUTRAL CONNECTIONS OR SAFETY WILL BE COMPROMISED.**
 - f) Please use Cable Tie to the Power Cord along to the Steel Cable (I), so that the Power Cord will not be subjected to pull.
7. After all connections are made, attach the Canopy (F) to the Mounting Plate (A). Align the holes of the side portions of the mounting plate with the holes located in the side of the canopy. Using a screwdriver, insert the Canopy Screws (G) through each hole of the canopy and into threaded engagement with the mounting plate. Do not over-tighten the screws.
8. Insert eight (8) **40-watt maximum E12 candelabra-base bulbs** (not included) or eight (8) **4.5-watt maximum SBLED light bulbs** (not included) into the Sockets (M). **DO NOT EXCEED THE RECOMMENDED WATTAGE.**
9. Restore power to ceiling outlet junction box and test fixture.
10. Installation is complete.

Care Instructions:

- Do not use abrasive cleaning solution as it may cause damage to the fixture's finish.
- Wipe clean with a soft, dry cloth or static duster.