

PALECEK®

601 PARR BOULEVARD | RICHMOND | CA 94801

FLOOR LAMP INSTALLATION INSTRUCTIONS

BAILEY FLOOR LAMP

286783



PROFESSIONAL INSTALLATION REQUIRED

CAUTION: BEFORE INSTALLING FIXTURE, MAKE SURE THE POWER TO THE CIRCUIT IS TURNED OFF AT THE MAIN FUSE BOX / CIRCUIT BREAKER UTILITY BOX.

Important Safety Instructions:

- These instructions are provided for your safety. Read carefully before use to ensure proper installation and operation.
- Installation by a licensed professional electrician is required.
- THIS PRODUCT MUST BE INSTALLED IN ACCORDANCE WITH APPLICABLE ELECTRICAL CODES BY A PERSON FAMILIAR WITH THE CONSTRUCTION AND OPERATION OF THE PRODUCT AND THE HAZARDS INVOLVED.
- The fixture is intended for indoor use, dry locations only.
- It must be connected to a 3-wire, single-phase electrical system (with ground wire or equivalent protective conductor).
- For safety and convenience, installation by two people is strongly recommended.
- This fixture is rated for one (1) 9W maximum A19 LED bulb (not included) or one (1) 60W maximum A19 Incandescent bulb (not included).

△ To avoid fire hazard, do not exceed the recommended wattage.

- **Save these instructions for future reference.**

WARNING:

- **To reduce the risk of fire, electrical shock or personal injury, always turn off light fixture and allow it to cool prior to replacing light bulb.**
- **Do not touch bulb when fixture is turned on. Do not look directly at lit bulb.**
- **Keep flammable materials away from lit bulb.**
- **Check the cable properly for any loose or damaged connections.**
- **When the unit is no longer functioning, do not attempt to fix it by yourself. Only a qualified technician is allowed to disassemble and repair.**
- **If the external flexible cable cord of this luminaire is damaged it shall be exclusively replaced by a qualified electrician in order to avoid hazard.**

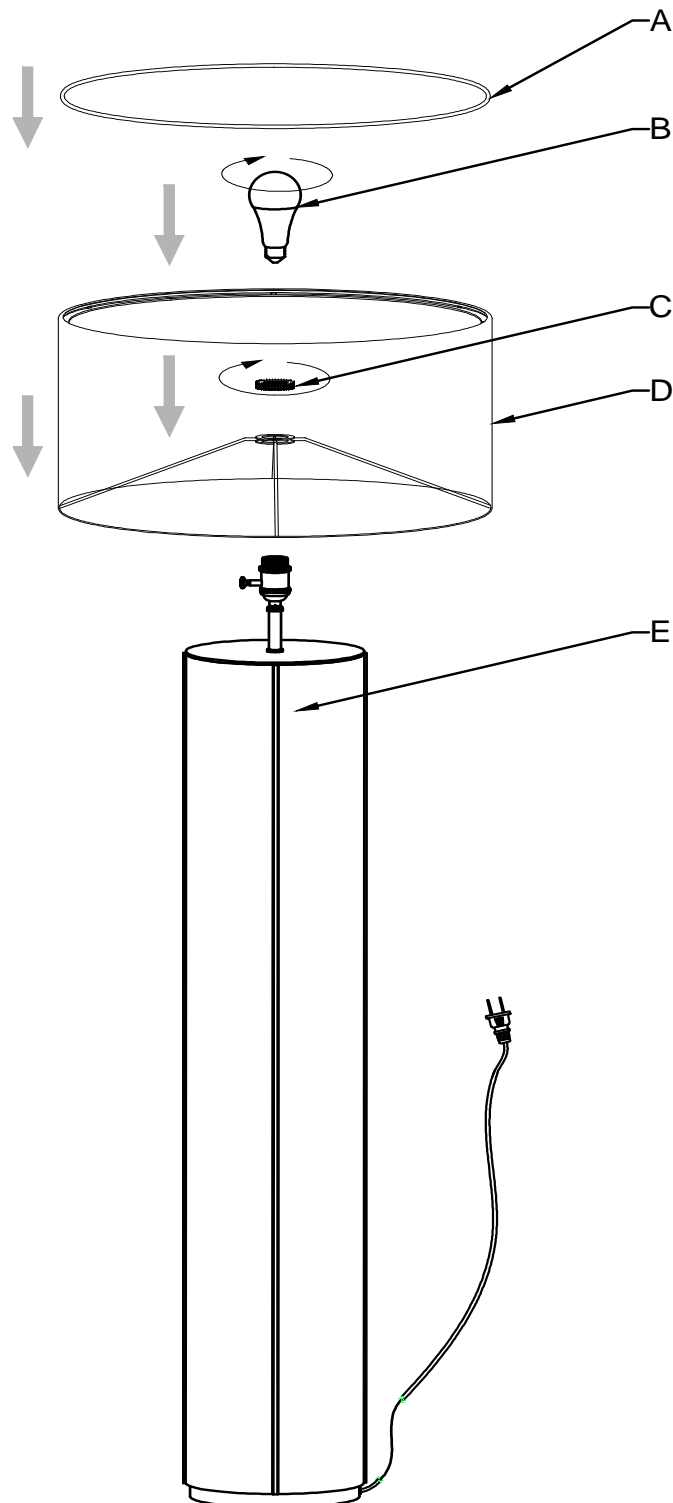
Pre-Assembly:

- Remove all parts and hardware from the box along with any plastic protective packaging. Do not discard contents until after assembly is complete to avoid accidentally discarding small parts or hardware.
- For your safety and convenience, assembly by two people is recommended.

TOOLS REQUIRED (not included): Ladder, Drill, Phillips Head & Flat Blade Screwdrivers, Plier, Wire Cutter/Stripper, Pencil & Electrical Tape.

Parts List:

- A) Diffuser x 1
- B) A19 bulb (not included)
- C) Shade Ring x 1
- D) Shade x1
- E) Lamp Base



Installation Instructions:

1. Place Uno fitter of Shade (D) on the Socket on Base (E) and secure with the Shade ring (C)
2. Insert (1) 9W maximum A19 LED bulb (not included) or (1) 60W maximum A19 Incandescent bulb (not included) into the socket.
3. Place the Diffuser (A) onto the Shade (D).

Care Instructions:

- Do not use abrasive cleaning solution as it may cause damage to the fixture's finish.
- Wipe clean with a soft, dry cloth or static duster.