

PALECEK®

601 PARR BOULEVARD | RICHMOND | CA 94801

PENDANT INSTALLATION INSTRUCTIONS

MIA PENDANT LARGE

236801



PROFESSIONAL INSTALLATION REQUIRED

CAUTION: BEFORE INSTALLING FIXTURE, MAKE SURE THE POWER TO THE CIRCUIT IS TURNED OFF AT THE MAIN FUSE BOX / CIRCUIT BREAKER UTILITY BOX.

Important Safety Instructions:

- These instructions are provided for your safety. Read carefully before use to ensure proper installation and operation.
- Installation by a licensed professional electrician is required.
- THIS PRODUCT MUST BE INSTALLED IN ACCORDANCE WITH APPLICABLE ELECTRICAL CODES BY A PERSON FAMILIAR WITH THE CONSTRUCTION AND OPERATION OF THE PRODUCT AND THE HAZARDS INVOLVED.
- The fixture is intended for indoor use, dry locations only.
- It must be connected to a 3-wire, single-phase electrical system (with ground wire or equivalent protective conductor).
- For safety and convenience, installation by two people is strongly recommended.
- This fixture is rated for one (1) 9W maximum A19 LED bulb (not included) or one (1) 60W maximum A19 Incandescent bulb (not included).

⚠ To avoid fire hazard, do not exceed the recommended wattage.

- Save these instructions for future reference.

WARNING:

- To reduce the risk of fire, electrical shock or personal injury, always turn off light fixture and allow it to cool prior to replacing light bulb.
- Do not touch bulb when fixture is turned on. Do not look directly at lit bulb.
- Keep flammable materials away from lit bulb.
- Check the cable properly for any loose or damaged connections.
- When the unit is no longer functioning, do not attempt to fix it by yourself. Only a qualified technician is allowed to disassemble and repair.
- If the external flexible cable cord of this luminaire is damaged it shall be exclusively replaced by a qualified electrician in order to avoid hazard.

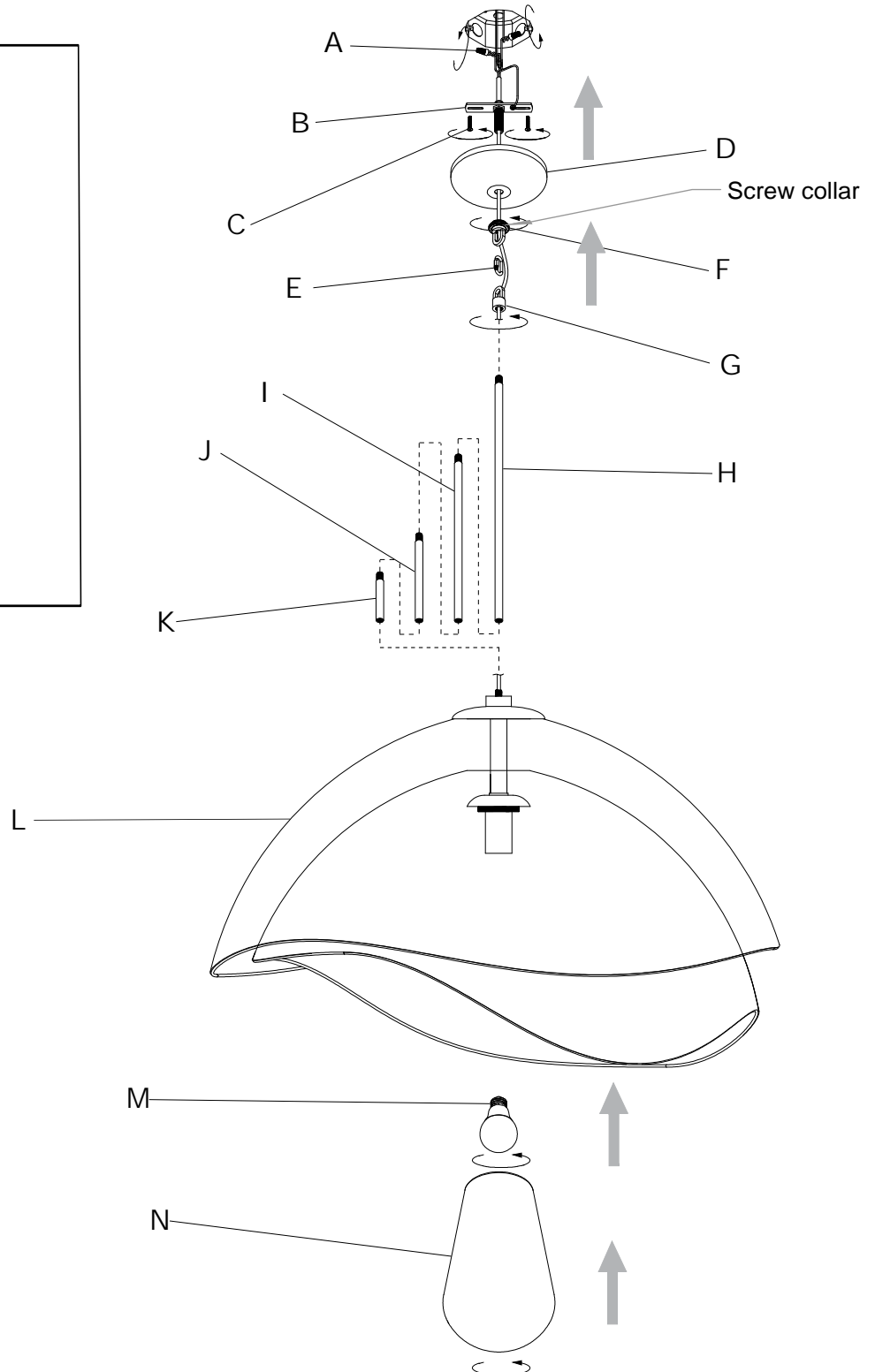
Pre-Assembly:

- Remove all parts and hardware from the box along with any plastic protective packaging. Do not discard contents until after assembly is complete to avoid accidentally discarding small parts or hardware.
- For your safety and convenience, assembly by two people is recommended.

TOOLS REQUIRED (not included): Ladder, Drill, Phillips Head & Flat Blade Screwdrivers, Plier, Wire Cutter/Stripper, Pencil & Electrical Tape.

Parts List:

- A) Wire Nuts x3
- B) Mounting Plate x1
- C) Mounting Screws x2
- D) Canopy x1
- E) Quick Link x1
- F) Top Hanger x1
- G) Bottom Hanger x1
- H) 18" Downrod x1
- I) 12" Downrod x 2
- J) 6" Downrod x1
- K) 3" Downrod x1
- L) Light Fixture
- M) Bulb (not included) x1
- N) Glass Shade x1



Installation Instructions:

1. **SHUT OFF THE MAIN ELECTRICAL SUPPLY FROM THE MAIN FUSE BOX/CIRCUIT BREAKER.**
2. Gently pull the existing wires down from the ceiling junction box and let them hang. Use a tape measure to decide your desired hanging height for the chandelier. Use the appropriate combination of downrods to create this hanging height.
3. Feed the cord through Downrods (H, I, J, K), Bottom Hanger (G), Top hanger (F), Canopy (D), Mounting plate(A). Attach Downrods to Light Fixture (L).
4. Secure the Mounting Plate (B) to the ceiling junction box with the Mounting Screws (C). Tighten until snug.
5. Fasten the ground wire from the fixture to the ceiling junction box and tight by Wire Nut (A) then wrap by electrical tape.
NEVER FASTEN THE GROUND WIRE TO THE BLACK OR "HOT" WIRE ! FAILURE TO FOLLOW THIS INSTRUCTION COULD RESULT IN SERIOUS INJURY OR DEATH !
Fasten the Neutral wire (White wire) from the fixture to the ceiling junction box and tight by Wire Nut (A) then wrap by electrical tape. Fasten the Hot wire (Black wire) from the fixture to the ceiling junction box and tight by Wire Nut(A) then wrap by electrical tape. Make sure that there is no exposed wire or strands that could cause a dangerous short circuit !
6. After all connections are made gently tuck wire connections into the ceiling junction box.
7. Attach the Top Hanger (F) to Mounting plate (B) by turning it clockwise.
8. Align the Canopy's hole (D) to the Nipple on Mounting plate (B) and secure it by screw collar of Top Hanger (F).
9. Connect the Bottom hanger (G) to Downrod assembly by turning the Hanger into the thread on the top Downrod.
10. Attach the Light fixture (L) to the Top Hanger (F) by Quick Link (E).
11. Insert one (1) 9W max type A19 LED bulb (not included) or one (1) 60W max type A19 Incandescent bulb (not included) into the socket. Use only bulb of the recommended type and wattage to avoid fire hazard.
12. Attach one (1) Glass shade (N) to the Light fixture (L) by turning it clockwise.
13. Restore power at the circuit breaker and test the fixture.

Care Instructions:

- Do not use abrasive cleaning solution as it may cause damage to the fixture's finish.
- Wipe clean with a soft, dry cloth or static duster.