

PALECEK®

601 PARR BOULEVARD | RICHMOND | CA 94801

PENDANT INSTALLATION INSTRUCTIONS

Gibson Chandelier Small

236379

PROFESSIONAL INSTALLATION REQUIRED

CAUTION: BEFORE INSTALLING FIXTURE, MAKE SURE THE POWER TO THE CIRCUIT IS TURNED OFF AT THE MAIN FUSE BOX / CIRCUIT BREAKER UTILITY BOX.

Important Safety Instructions:

- These instructions are provided for your safety. It is important that they are read carefully before use to ensure safe operation of the product.
- Installation by a licensed professional electrician required.
- THIS PRODUCT MUST BE INSTALLED IN ACCORDANCE WITH THE APPLICABLE INSTALLATION CODES BY A PERSON FAMILIAR WITH THE CONSTRUCTION AND OPERATION OF THE PRODUCT AND THE HAZARDS INVOLVED.
- The Installer must be familiar with commercial – type application of very heavy chandeliers / sconces.
- The lighting fixture is meant for indoor use. It must be connected only to 3-wire, single-phase electrical supply systems (provided with Ground wire or equivalent protection system).
- For your safety, it is strongly recommended that two people install the lighting fixture.
- The lighting fixture is meant for indoor use, DRY LOCATIONS ONLY.
- Save these instructions.

WARNING:

- To reduce the risk of fire, electrical shock or personal injury, always turn off light fixture and allow it to cool prior to replacing LED.
- Do not touch fixture is turned on. Do not look directly at lit LED.
- Keep flammable materials away from lit LED.
- Check the cable properly for any loose or damaged connections.
- When the unit is no longer functioning, do not attempt to fix it by yourself. Only a qualified technician is allowed to disassemble and repair.
- If the external flexible cable cord of this luminaire is damaged it shall be exclusively replaced by a qualified electrician in order to avoid hazard.

Pre-Assembly:

- Remove all parts and hardware from the box along with any plastic protective packaging. Do not discard contents until after assembly is complete to avoid accidentally discarding small parts or hardware.
- Detach the Mounting Plate (A) from Canopy (C) by removing the Canopy Screws (B). Do not discard Canopy Screws (B) as these will be used later.
- Determine the hanging length of the Chandelier by adjusting the Steel Cable. Maximum hanging length is 145” and Minimum hanging length is 24”

Note – To loosen the cable grip lock, Press and hold the Cable Gripper upwards and push the Steel Cable into the Canopy. Release the Cable Gripper once the desired fixture suspension length is determined.

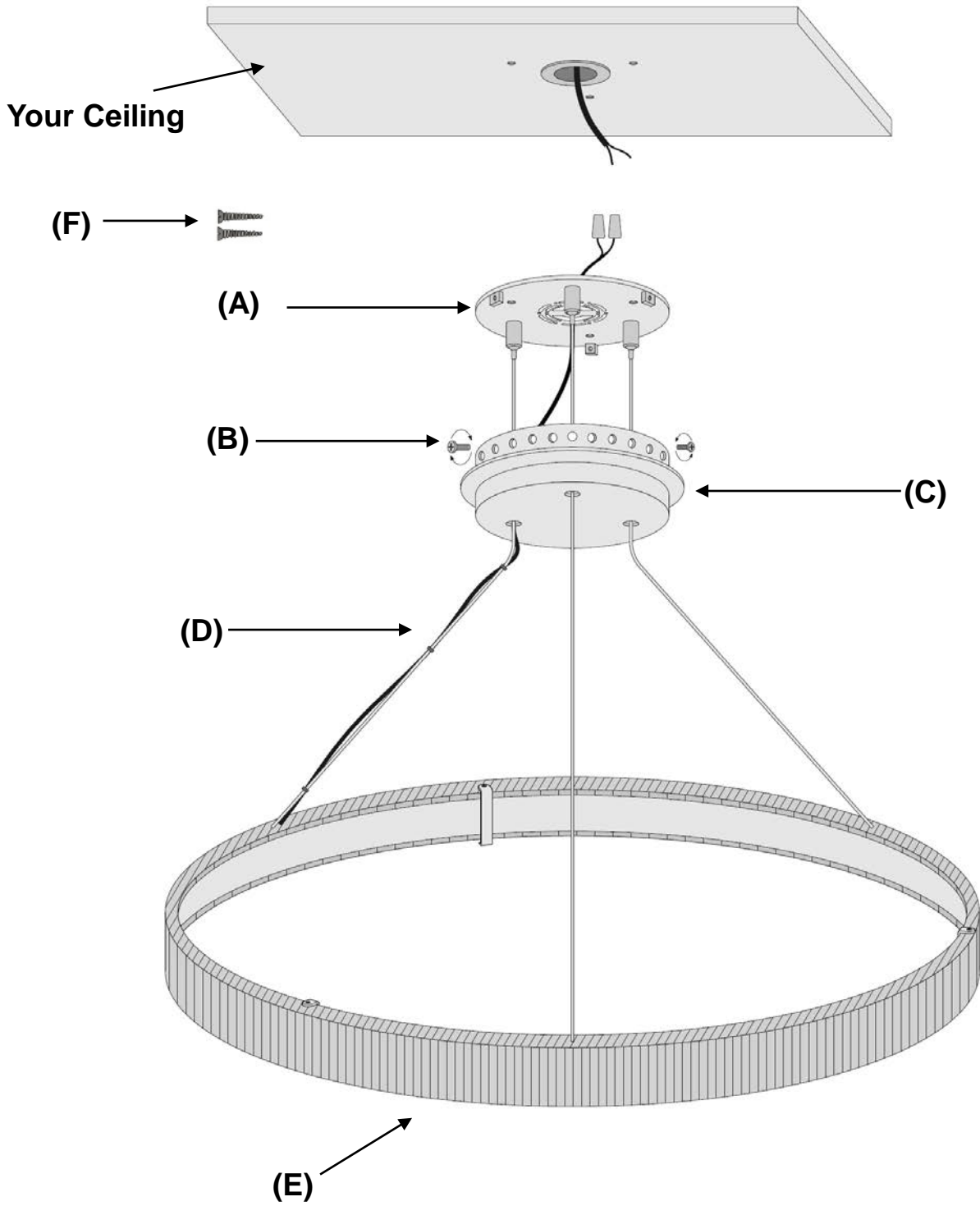
- Adjust length of the power cable based on length of Steel Cable.

Note- Please make sure suspension length of the power cord is slightly longer than the Steel Cable, so the fixture will be supported by the Steel Cable.

- **TOOLS REQUIRED (not included):** Ladder, Phillips Head Screw Driver, Wire Cutter/Stripper & Electrical Tape.

Parts List:

- (A) Mounting plate
- (B) Canopy Screws – 3 Units
- (C) Canopy
- (D) Steel Cable – 3 Units
- (E) Chandelier
- (F) Junction Box Screw – 2 Units



Installation Instructions:

- **SHUT OFF THE MAIN ELECTRICAL SUPPLY FROM THE MAIN FUSE BOX/CIRCUIT BREAKER.**
- Gently pull existing wires down from the ceiling junction box and allow them to hang.
- Feed wires through the wires will come out on the back side of the canopy (C).
- Attach the Mounting Plate (A) to the ceiling using Junction box screws (F) and secure with Canopy Screws (B) (included).

Establish electrical connections:

- Connect the NEUTRAL FIXTURE WIRE (Blue) to the NEUTRAL JUNCTION BOX WIRE. Fasten each together with a wire connector and wrap the connection with electrical tape. Be sure that no wire strands are exposed.
- Connect the HOT FIXTURE WIRE (Brown) to the HOT JUNCTION BOX WIRE. Fasten each together with a wire connector and wrap the connection with electrical tape. Be sure that no wire strands are exposed. **DO NOT REVERSE THE HOT AND NEUTRAL CONNECTIONS OR SAFETY WILL BE COMPROMISED.**
- Connect the GROUND WIRE of the fixture to the GROUND J-BOX WIRE (copper bare) with a wire connector and wrap the connection with electrical tape. Be sure that no wire strands are exposed. If there is no ground wire in the J-Box, use a screwdriver to secure the end of the fixture ground wire to the GREEN screw located on the Cross bar.
- After all connections are made, Attach the Canopy (C) to the Mounting plate (A) and fix it with Canopy Screws (B).
- Restore power to ceiling outlet junction box and test fixture.
- Installation is complete.

Care Instructions:

- Do not use abrasive cleaning solution as it may cause damage to the fixture's finish.
- Wipe clean with a soft, dry cloth or static duster.

PALECEK®

601 PARR BOULEVARD | RICHMOND | CA 94801

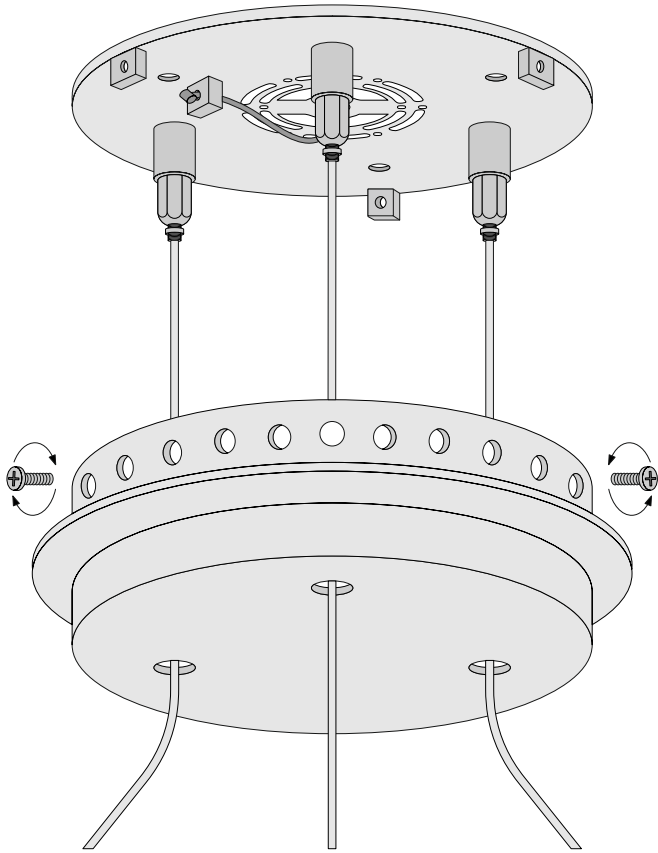
LED Driver Replacement Instructions

Instructions:

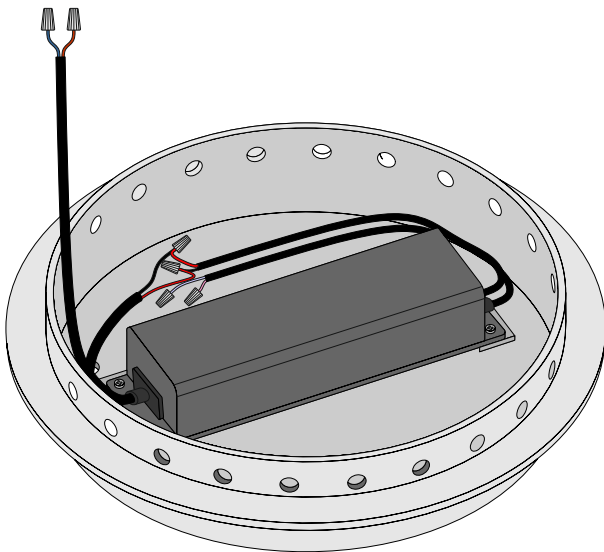
SHUT OFF THE MAIN ELECTRICAL SUPPLY FROM THE MAIN FUSE BOX/CIRCUIT BREAKER.

To replace the LED driver,

1 - Remove Canopy by unscrewing Holding Screws.



2 - Remove the electrical connections and unscrew the LED driver from the Canopy. Replace new LED driver and attach to the Canopy and establish electrical connections to the appropriate wires. Match specifications of the installed LED Driver. Connect the Fixture wires to the LED driver Output wires (Black) and (Red). Fasten each together with a wire connector and wrap the connection with electrical tape. Be sure that no wire strands are exposed.



LED Driver/LED Strip Replacement Instructions

PROFESSIONAL INSTALLATION REQUIRED

CAUTION: Before replacing LED Driver / LED Strip, make sure the power to the circuit is turned off at the main FUSE BOX / CIRCUIT BREAKER utility box.

Important Safety Instructions:

Installation by a licensed professional electrician required.

WARNING:

When the unit is no longer functioning, do not attempt to fix it by yourself. Only a qualified technician is allowed to disassemble and repair.

If the external flexible cable cord of this luminaire is damaged it shall be exclusively replaced by a qualified electrician in order to avoid hazard.

Installation Instructions:

SHUT OFF THE MAIN ELECTRICAL SUPPLY FROM THE MAIN FUSE BOX/CIRCUIT BREAKER.

To replace the LED driver, remove Canopy/Backplate of the Chandelier/Wall Sconce and see how the LED driver is fitted.

Remove the electrical connections and unscrew the LED driver from the Canopy/Backplate.

Replace new LED driver and attach to the Canopy/Backplate and establish electrical connections to the appropriate wires.

Match specifications of the installed LED Driver. Connect the Fixture wires to the LED driver Output wires (Black) and (Red).

Fasten each together with a wire connector and wrap the connection with electrical tape.

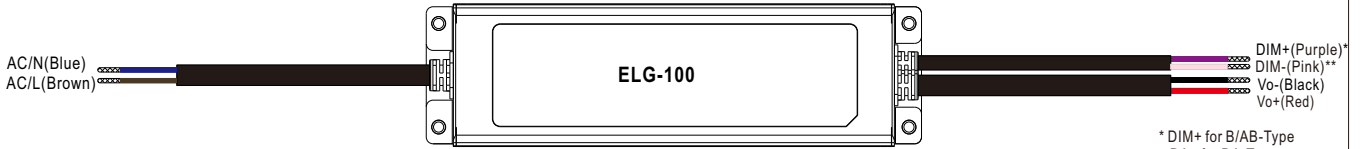
Be sure that no wire strands are exposed. (LED Driver diagram showing below).



To replace the LED strip, Electrician will disassemble the fixture and remove the LED strip. Replace new LED strip as the original and establish electrical connections matching the specification of original strip.

LED Strip Spec- COB-24V-320S-W-2700k

■ DIMMING OPERATION

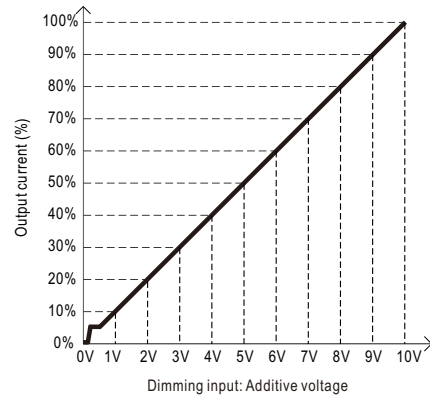
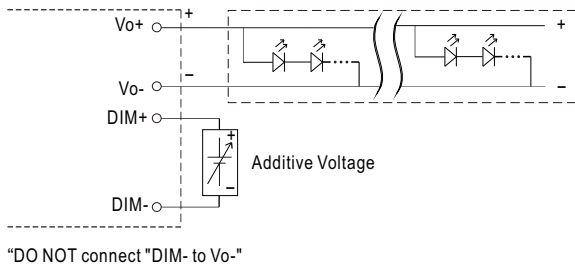


※ 3 in 1 dimming function (for B/AB-Type)

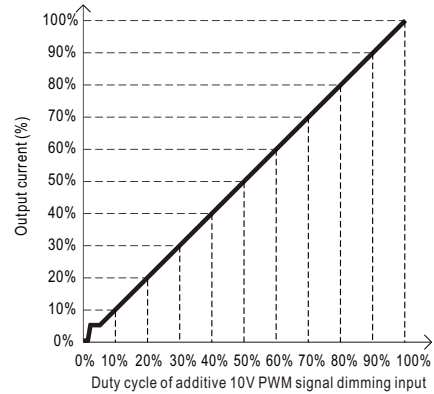
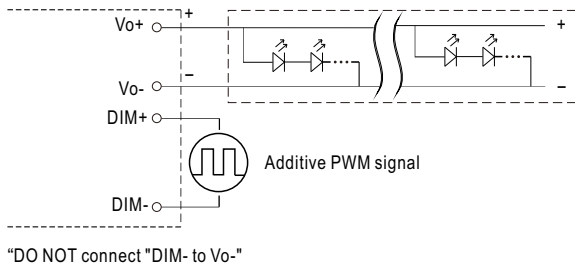
- Output constant current level can be adjusted by applying one of the three methodologies between DIM+ and DIM-: 0 ~ 10VDC, or 10V PWM signal or resistance.
- Direct connecting to LEDs is suggested. It is not suitable to be used with additional drivers.
- Dimming source current from power supply: 100 μ A (typ.)

* DIM+ for B/AB-Type
 DA+ for DA-Type
 PROG+ for D2-Type
 ** DIM- for B/AB-Type
 DA- for DA-Type
 PROG- for D2-Type

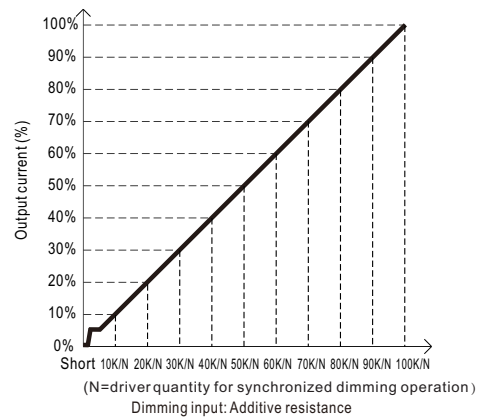
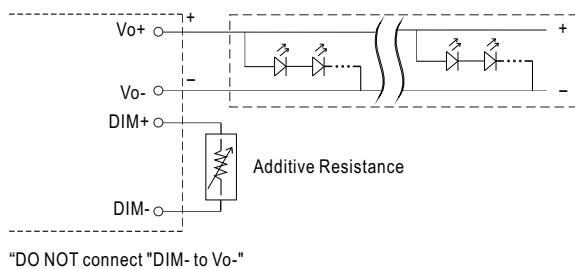
◎ Applying additive 0 ~ 10VDC



◎ Applying additive 10V PWM signal (frequency range 100Hz ~ 3KHz):



◎ Applying additive resistance:



Note : 1. Min. dimming level is about 8% and the output current is not defined when 0% < I_{out} < 8%.
 2. The output current could drop down to 0% when dimming input is about 0k Ω or 0Vdc, or 10V PWM signal with 0% duty cycle.