

ASSEMBLY INSTRUCTION

TORREY FLOOR LAMP

BASE - 234179C

SHADE - 948

These instructions are provided for your convenience. It is very important that they are read carefully and completely before beginning installation of this item.

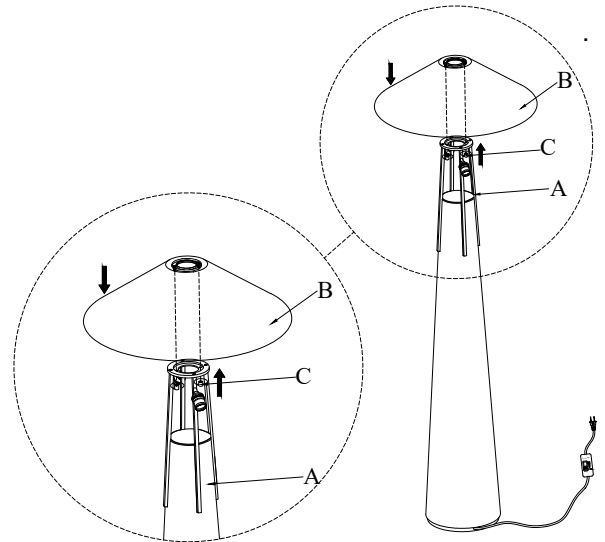
Parts List:

A) Lamp base x 1pc C) Knobs x 2pcs

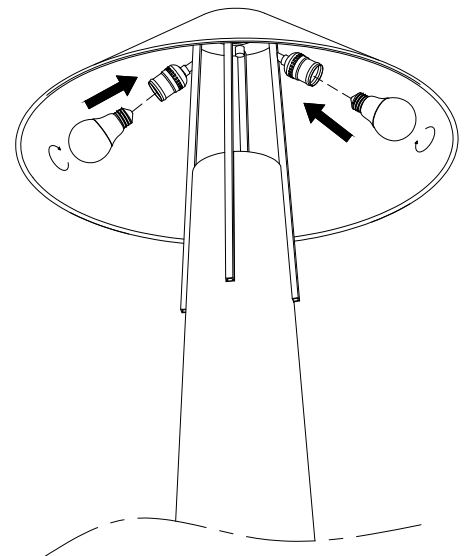
B) Shade x 1pc

To Assembly:

1. Place Shade (B) onto The Lamp Base (A) by aligning threaded stubs on Shade (B) to threaded hole of Top of Lamp Base (A) and secure with the Knobs (C).



2. Insert (2) 9W maximum A19 LED bulbs (not included) or (2) 60W maximum A19 Incandescent bulbs (not included) into each socket.



3. Plug cord into wall outlet and ON the switch.

