

# PALECEK®

601 PARR BOULEVARD | RICHMOND | CA 94801

## PENDANT INSTALLATION INSTRUCTIONS

### KN BROOKLYN CHANDLER SMALL BLACK

231679

#### PROFESSIONAL INSTALLATION REQUIRED

**CAUTION: BEFORE INSTALLING FIXTURE, MAKE SURE THE POWER TO THE CIRCUIT IS TURNED OFF AT THE MAIN FUSE BOX / CIRCUIT BREAKER UTILITY BOX.**

#### Important Safety Instructions:

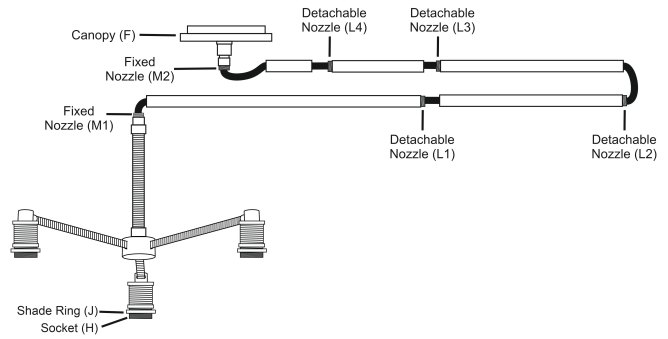
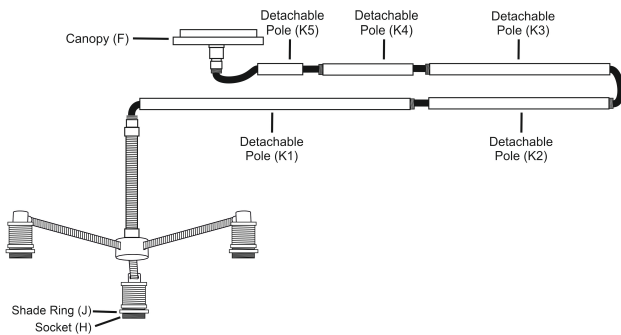
- These instructions are provided for your safety. It is important that they are read carefully before use to ensure safe operation of the product.
- Installation by a licensed professional electrician required.
- THIS PRODUCT MUST BE INSTALLED IN ACCORDANCE WITH THE APPLICABLE INSTALLATION CODES BY A PERSON FAMILIAR WITH THE CONSTRUCTION AND OPERATION OF THE PRODUCT AND THE HAZARDS INVOLVED.
- The lighting fixture is meant for indoor use. It must be connected only to 3-wire, single-phase electrical supply systems (provided with Ground wire or equivalent protection system).
- For your safety, it is strongly recommended that two people install the lighting fixture.
- This fixture has been rated for up to three (3) **60 watt max E26 medium base bulb** (not included) or three (3) **9 watt max LED light bulb** (not included). To avoid the risk of fire, do not exceed the recommended lamp wattage.
- The lighting fixture is meant for indoor use, DRY LOCATIONS ONLY.
- **Save these instructions.**

#### WARNING:

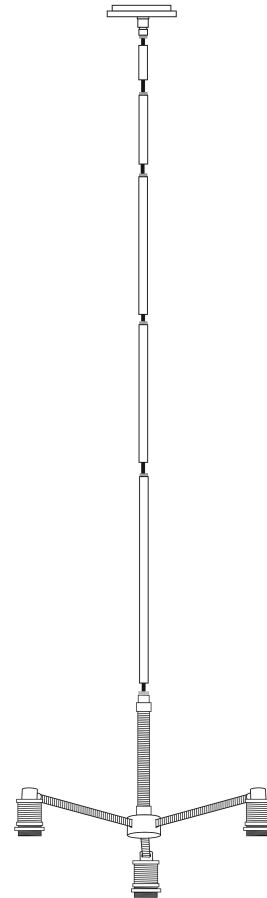
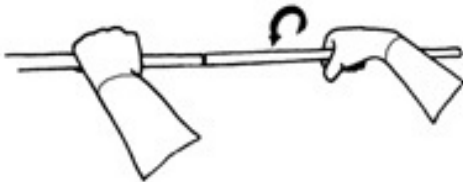
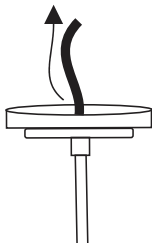
- **To reduce the risk of fire, electrical shock or personal injury, always turn off light fixture and allow it to cool prior to replacing light bulb.**
- **Do not touch bulb when fixture is turned on. Do not look directly at lit bulb.**
- **Keep flammable materials away from lit bulb.**
- **Check the cable properly for any loose or damaged connections.**
- **When the unit is no longer functioning, do not attempt to fix it by yourself. Only a qualified technician is allowed to disassemble and repair.**
- **If the external flexible cable cord of this luminaire is damaged it shall be exclusively replaced by a qualified electrician in order to avoid hazard.**

## Pre-Assembly:

- Remove all parts and hardware from box along with any plastic protective packaging. Do not discard contents until after assembly is complete to avoid accidentally discarding small parts or hardware.
- For your safety and convenience, assembly by two people is recommended
- Lay the product out on floor. If there is no carpet, cover the floor with a soft cloth so as not to scratch the finish of the light or the floor.
- Determine distance to suspend your pendant from ceiling. To adjust overall hanging height, slide Canopy (F) from cable and remove number of Detachable Poles (K1,K2,K3,K4,K5) according to your requirement. Re-thread cable through canopy and attach upper pole directly into canopy by turning clockwise until it is secure. Secure each threaded joint of poles properly by tightening clockwise.



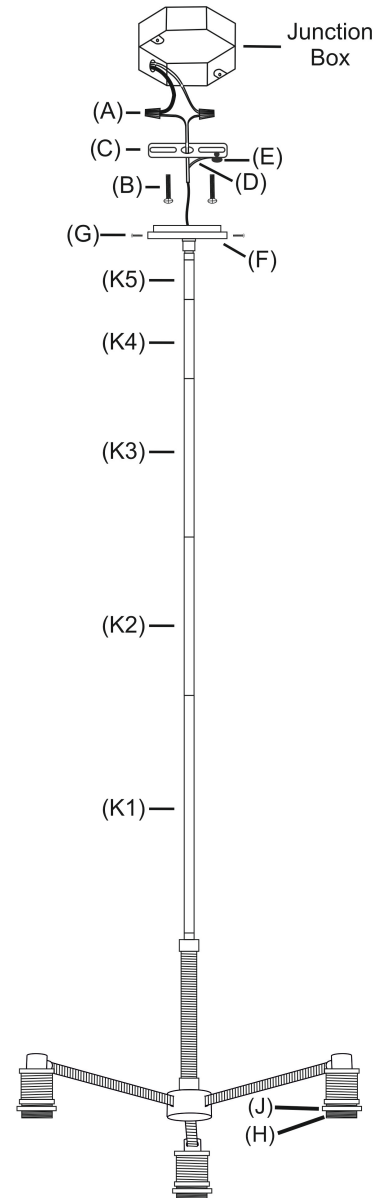
- Gently pull slack cable out of Canopy (F) until assembled poles meet thread of Socket Fixture (H). Screw lower pole into Socket fixture. Ensure that poles are turned clockwise until it is secured. Hold Socket fixture stationary and rotate pole to prevent twisting of cable.



**TOOLS REQUIRED (not included):** Ladder, Phillips Head & Flat Blade Screwdrivers, and Wire Cutter/Stripper & Electrical Tape.

**Parts List:**

- A) Plastic Wire Connectors (3x)
- B) Mounting Screws (B1 & B2)
- C) Mounting Plate
- D) Ground Wire
- E) Green Ground Screw
- F) Canopy
- G) Canopy Screws (2x)
- H) Socket (3x)
- I) Shade (3x)
- J) Shade Ring (3x)
- K) Detachable Poles (5x)
- L) Detachable Nozzles (4x)
- M) Fixed Nozzles (2x)



**Installation Instructions:**

1. **SHUT OFF THE MAIN ELECTRICAL SUPPLY FROM THE MAIN FUSE BOX/CIRCUIT BREAKER.**
2. Gently pull existing wires down from ceiling junction box and allow them to hang.
3. Secure Mounting Plate (C) to Junction Box with Mounting Screws (B). Tighten until snug.
4. Establish electrical connections:
  - a) Connect NEUTRAL FIXTURE WIRE to NEUTRAL JUNCTION BOX WIRE (usually white or ribbed insulation). Fasten each together with a wire connector (A) and wrap the connection with electrical tape. Be sure that no wire strands are exposed.
  - b) Connect HOT FIXTURE WIRE to HOT JUNCTION BOX WIRE (usually black or smooth insulation). Fasten each together with a wire connector (A) and wrap connection with electrical tape. Be sure that no wire strands are exposed. **DO NOT REVERSE THE HOT AND NEUTRAL CONNECTIONS OR SAFETY WILL BE COMPROMISED.**
  - c) Connect GROUND WIRE of fixture to GROUND J-BOX WIRE (usually green or bare) with a wire connector (A) and wrap connection with electrical tape. Be sure that no wire strands are exposed. If there is no ground wire in J-Box, use a screwdriver to secure the end of fixture ground wire (D) to GREEN screw (E) located on Mounting Plate (C).
5. After all connections are made, attach Canopy (F) to the Mounting Plate (C). Align holes of side portions of the Mounting Plate with holes located on side of Canopy (F). Using a screwdriver, insert canopy screws (G) through each hole of canopy and into threaded engagement with Mounting Plate (C). Do not over-tighten screws.

6. Unscrew the Shade Rings (J) from Sockets (H). Fix Shades (I) onto sockets (H) and tighten Shade Rings (J) clockwise by hand.



7. Insert three (3) **60 watt max E26 medium base bulb** (not included) or three (3) **9-watt max LED light bulb** (not included). To avoid the risk of fire, do not exceed the recommended lamp wattage.
8. Restore power to ceiling outlet junction box and test fixture.
9. Installation is complete.

### Care Instructions:

- Do not use abrasive cleaning solution as it may cause damage to the fixture's finish.
- Wipe clean with a soft, dry cloth or static duster.