

PALECEK®

601 PARR BOULEVARD | RICHMOND | CA 94801

SCONCE INSTALLATION INSTRUCTIONS GEORGINA SCONCE NATURAL

219901



PROFESSIONAL INSTALLATION REQUIRED

CAUTION: BEFORE INSTALLING FIXTURE, MAKE SURE THE POWER TO THE CIRCUIT IS TURNED OFF AT THE MAIN FUSE BOX / CIRCUIT BREAKER UTILITY BOX.

Important Safety Instructions:

- These instructions are provided for your safety. Read carefully before use to ensure proper installation and operation.
- Installation by a licensed professional electrician is required.
- THIS PRODUCT MUST BE INSTALLED IN ACCORDANCE WITH APPLICABLE ELECTRICAL CODES BY A PERSON FAMILIAR WITH THE CONSTRUCTION AND OPERATION OF THE PRODUCT AND THE HAZARDS INVOLVED.
- The fixture is intended for indoor use, dry locations only.
- It must be connected to a 3-wire, single-phase electrical system (with ground wire or equivalent protective conductor).
- For safety and convenience, installation by two people is strongly recommended.
- This fixture is rated for two (2) 9.5W maximum T9 or T10 LED bulbs (not included) or two (2) 60W maximum T9 or T10 Incandescent bulbs (not included). A frosted T10 bulb, 8.9" in length overall is ideal.

△ To avoid fire hazard, do not exceed the recommended wattage.

- **Save these instructions for future reference.**

WARNING:

- **To reduce the risk of fire, electrical shock or personal injury, always turn off light fixture and allow it to cool prior to replacing light bulb.**
- **Do not touch bulb when fixture is turned on. Do not look directly at lit bulb.**
- **Keep flammable materials away from lit bulb.**
- **Check the cable properly for any loose or damaged connections.**
- **When the unit is no longer functioning, do not attempt to fix it by yourself. Only a qualified technician is allowed to disassemble and repair.**
- **If the external flexible cable cord of this luminaire is damaged it shall be exclusively replaced by a qualified electrician in order to avoid hazard.**

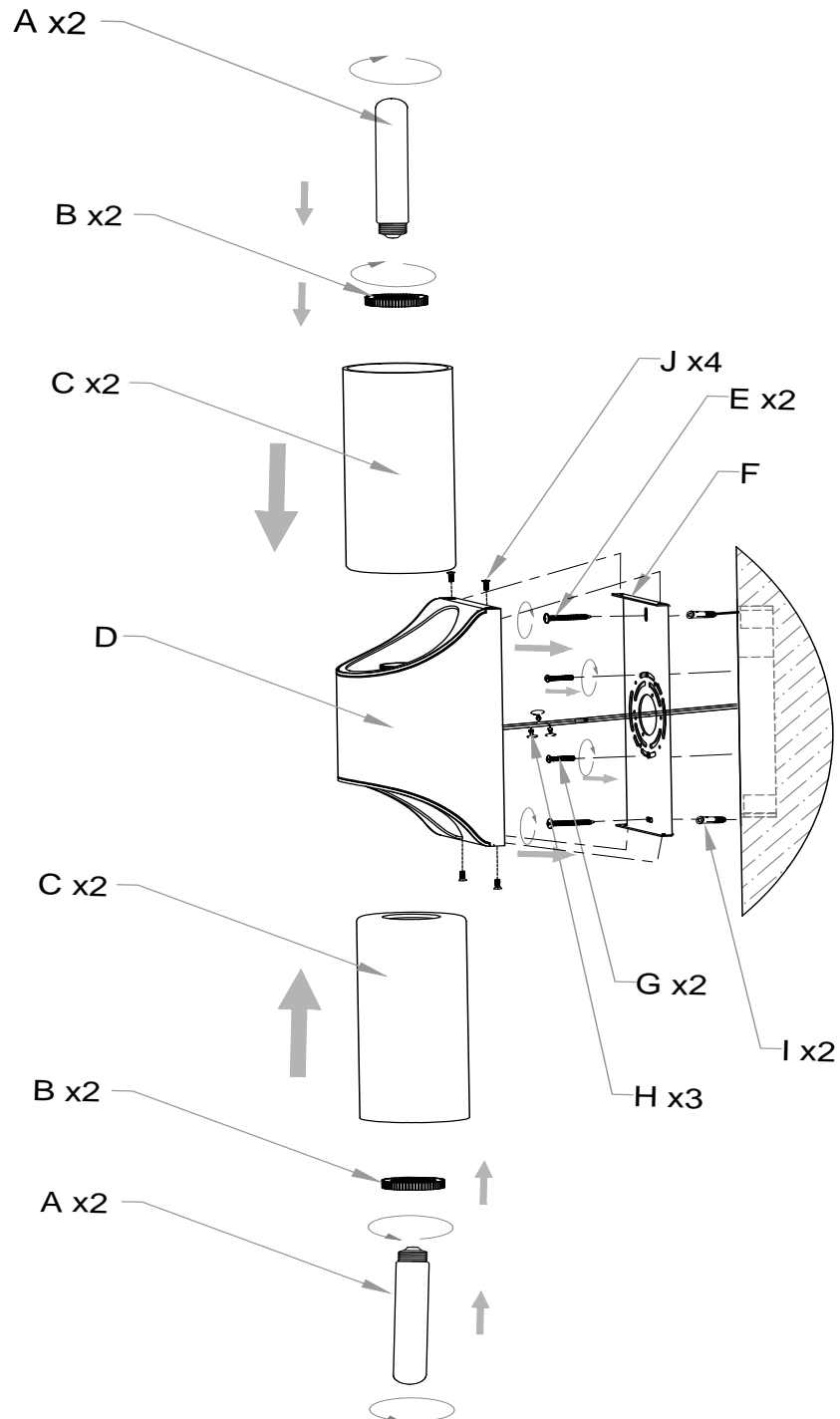
Pre-Assembly:

- Remove all parts and hardware from the box along with any plastic protective packaging. Do not discard contents until after assembly is complete to avoid accidentally discarding small parts or hardware.
- For your safety and convenience, assembly by two people is recommended.

TOOLS REQUIRED (not included): Ladder, Drill, Phillips Head & Flat Blade Screwdrivers, Plier, Wire Cutter/Stripper, Pencil & Electrical Tape.

Parts List:

- A) T9 or T10 Bulb (Not Included)
- B) Shade ring x2
- C) Glass Shade x 2
- D) Light Fixture
- E) Anchor Screws x2
- F) Mounting plate
- G) Mounting screws x2
- H) Wire Nuts x3
- I) Plastic Anchor x2
- J) Frame Screws x4



Installation Instructions:

1. **SHUT OFF THE MAIN ELECTRICAL SUPPLY FROM THE MAIN FUSE BOX/CIRCUIT BREAKER.**
2. Gently pull existing wires down from the wall junction box and allow them to hang.
3. Align the holes on Mounting plate (F) to threaded holes on junction box in wall. Mark 2 holes in wall aligning to 2 slots at top and bottom of Mounting plate (F). Drill 2 pilot holes and insert 2 Plastic Anchors (I) into the wall.
4. Secure the Mounting plate (F) to the wall junction box with the 2 Anchor Screws (E) and 2 Mounting screws (G). Tighten until snug.
5. Connect the ground wire (Green) from the fixture to the ground wire from the wall outlet box using a Wire Nut (H). Secure connection with electrical tape. Connect the neutral wire (white) from the fixture to the neutral wire from the outlet box using a Wire Nut (H), then wrap with electrical tape. Connect the hot wire (black) from the fixture to the hot wire from the outlet box using a Wire Nut (H), then wrap with electrical tape. Ensure no exposed wire strands remain that could cause a short circuit.
6. After all connections are made, gently tuck wire connections into the wall junction box. Attach the Light Fixture (D) to the Mounting Plate (F). Align the mounting screws on the corresponding holes of the Mounting Plate (F) with the holes in the Canopy on the Light Fixture (D). Secure with 4 Frame Screws (J).
7. Place Glass Shades (C) on the Light Fixture (D) and secure them with the Shade rings (B).
8. Insert two (2) 9.5W max type T9 or T10 LED bulbs (not included) or two (2) 60W max type T9 or T10 Incandescent bulbs (not included) into the sockets. A frosted T10 bulb, 8.9" in length overall is ideal for this fixture. Use only bulbs of the recommended type and wattage to avoid fire hazard.
9. Restore power at the circuit breaker and test the fixture.

Care Instructions:

- Do not use abrasive cleaning solution as it may cause damage to the fixture's finish.
- Wipe clean with a soft, dry cloth or static duster.