

# PALECEK®

601 PARR BOULEVARD | RICHMOND | CA 94801

## WALL SCONCE INSTALLATION INSTRUCTIONS

Hollister Large  
219679 / 219610

### **Important Safety Instructions:**

- This product must be installed in accordance with the applicable installation codes by a person familiar with the construction and operation of the product and the hazards involved.
- These instructions are provided for your safety. It is important that they are read carefully before use to ensure safe operation of the product. Save these instructions.
- Installation by a licensed professional electrician required.
- The lighting fixture is meant for outdoor use. It must be connected only to 3-wire, single-phase electrical supply systems (provided with Ground wire or equivalent protection system).
- For your safety, it is strongly recommended that two people install the lighting fixture.
- This fixture has been rated for up to three (3) 40-watt maximum E12 T-style bulbs (not included) or three (3) 4-watt maximum LED light T-style bulbs (not included). To avoid the risk of fire, do not exceed recommended wattage.
- Suitable for Dry, Damp, and Wet Locations.

### **WARNING:**

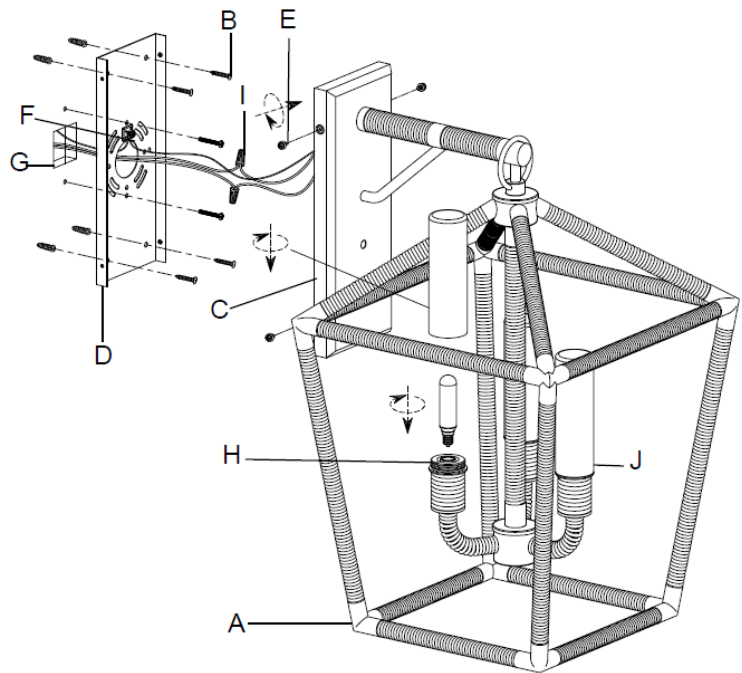
- To reduce the risk of fire, electrical shock or personal injury, always turn off light fixture and allow it to cool prior to replacing light bulb.
- Do not touch the bulb when the fixture is turned on. Do not look directly at the lit bulb.
- Keep flammable materials away from lit bulbs.
- Check the cable properly for any loose or damaged connections.
- When the unit is no longer functioning, do not attempt to fix it by yourself. Only a qualified technician is allowed to disassemble and repair.
- If the external flexible cable cord of this luminaire is damaged it shall be exclusively replaced by a qualified electrician to avoid hazard.

## **PRE-ASSEMBLY:**

1. Remove all parts and hardware from the box and keep them until assembly is complete to prevent accidental loss.
2. Power Off: Before installation, turn off the circuit power at the main fuse box or circuit breaker utility box.
3. Protect the floor with soft cloth if there's no carpet to avoid scratching the light or floor.
4. Tools Required (not included): Ladder, Phillips Head & Flat Blade Screwdrivers, Wire Cutter/Stripper, and Electrical Tape

## **PART LISTS:**

- A. Sconce Fixture
- B. Wall Screws
- C. Back Plate
- D. Mounting Plate
- E. Side Screws (E1, E2, E3, & E4)
- F. Grounding Screw
- G. Junction Box
- H. Socket
- I. Plastic Wire Connectors (3x)
- J. Glass Shade



## **INSTALLATION INSTRUCTIONS:**

1. SHUT OFF THE MAIN ELECTRICAL SUPPLY FROM THE MAIN FUSE BOX/CIRCUIT BREAKER
2. Separate Mounting Plate (D) from Sconce Fixture (A) by removing the four Fixture Side Screws (E1, E2, E3 & E4). Do not discard Fixture Side Screws (E1, E2, E3, E4) as these will be used later.

3. Gently pull existing wires out from the wall junction box and allow them to hang. The hot or live wire is black, and the neutral wire is white. Check to see if there is a ground wire that is either green or green with a yellow stripe or exposed copper metal wire. If needed, use a pair of wire strippers to remove about ½ inch of insulation from each wire
4. Insert the junction box wires through the center opening of the Mounting Plate (D). Attach the Mounting Plate (D) to the wall using the 4 wall screws.

### **ESTABLISH ELECTRICAL CONNECTIONS:**

1. Connect the NEUTRAL FIXTURE WIRE to the NEUTRAL JUNCTION BOX WIRE (usually white or ribbed insulation). Connect the HOT FIXTURE WIRE to the HOT JUNCTION BOX WIRE (usually black or smooth insulation). F Connect the GROUND WIRE of the fixture to the GROUND J-BOX WIRE (usually green or bare). Fasten each together with a wire connector and wrap the connection with electrical tape. Be sure that no wire strands are exposed. DO NOT REVERSE THE HOT AND NEUTRAL CONNECTIONS OR SAFETY WILL BE COMPROMISED. If there is no ground wire in the J-Box, use a screwdriver to secure the end of the fixture ground wire to the Ground screw (F) into the Mounting Plate (D).
2. After all connections are made, place the sconce fixture over the Backplate (C) and insert the four fixture side screws (E1, E2, E3 & E4) and tighten each using a screwdriver until secure. Do not over-tighten the screws.
3. Insert 40-watt maximum Type T bulb (not included) into the socket. DO NOT EXCEED THE RECOMMENDED WATTAGE.
4. Fix the Glass Shade (J) over the light bulb and tighten the shade clockwise by hand.
5. Using the outdoor silicone caulking compound, caulk completely rim of Back Plate where it meets the wall surface leaving a space without the caulking compound at the bottom of Back Plate. Note: Mounting surface should be clean, dry, flat and a 1/4 inch larger than the Back Plate on all sides.
6. Restore power to wall outlet junction box and test fixture.
7. Installation is complete.