

# PALECEK®

601 PARR BOULEVARD | RICHMOND | CA 94801

## CHANDELIER INSTALLATION INSTRUCTIONS

Hollister Chandelier, Small

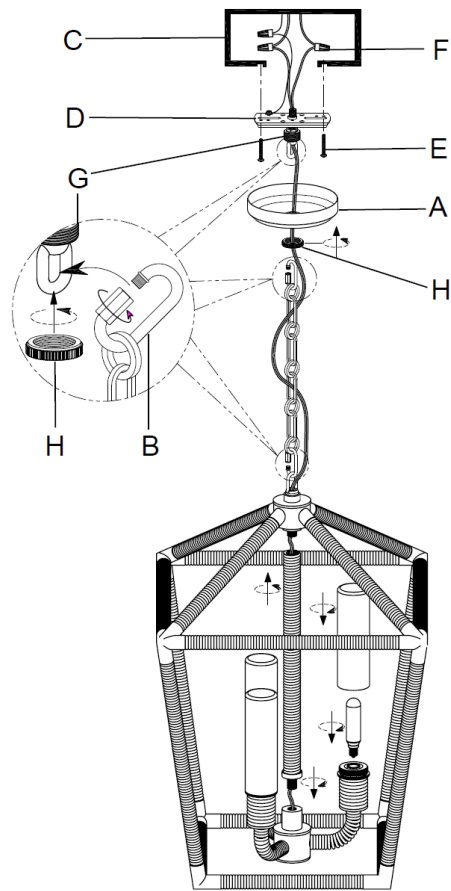
214879 / 214810

### SAFETY GUIDELINES / WARNING:

1. Professional Installation Required: This fixture must be installed by a licensed professional electrician. it's strongly recommended that two people install the fixture
2. Suitable for **Wet Locations**. This fixture is for outdoor use and should be connected to a 3-wire, single-phase electrical supply system with a ground wire or equivalent protection.
3. Wattage Limit: Use a maximum **40-watt Type T bulb** (not included) to prevent the risk of fire. Keep flammable materials away from the lit bulb. Avoid touching the bulb when the fixture is on and do not look directly at the lit bulb.
4. Turn off the fixture and let it cool before replacing the bulb to reduce the risk of fire, electrical shock, or injury.
5. Regularly check for loose or damaged cable connections. Do not attempt to repair the unit yourself; only a qualified technician should disassemble and repair it. If the external cable is damaged, it must be replaced by a qualified electrician to avoid hazards.

## **PRE-ASSEMBLY:**

1. Remove all parts and hardware from the box and keep them until assembly is complete to prevent accidental loss.
2. Power Off: Before installation, turn off the circuit power at the main fuse box or circuit breaker utility box.
3. Protect the floor with a soft cloth if there's no carpet to avoid scratching the light or floor.
4. Tools Required (not included): Ladder, Phillips Head & Flat Blade Screwdrivers, Wire Cutter/Stripper, and Electrical Tape.



## **PARTS LIST:**

- A) Canopy
- B) Quick links
- C) Ceiling Junction Box
- D) Mounting Plate
- E) Mounting Screws
- F) Wire Connector
- G) Canopy Screw
- H) Canopy Ring

## **INSTALLATION INSTRUCTION:**

1. SHUT OFF THE MAIN ELECTRICAL SUPPLY FROM THE MAIN FUSE BOX/CIRCUIT BREAKER
2. Determine the distance to suspend your pendant from the ceiling, adjust chain and wire length accordingly.
3. Gently pull existing wires down from the ceiling junction box and allow them to hang.
4. Secure the Mounting Plate (D) to the Junction Box with the Mounting Screws (E). Tighten until snug.
5. Thread the chain through Canopy Ring (H) and Canopy (A), open up quick link (B) and hang the chandelier on to the Canopy Screw (G).

6. Establish electrical connections:
  - a. Connect the NEUTRAL FIXTURE WIRE to the NEUTRAL JUNCTION BOX WIRE (usually white or ribbed insulation). Connect the HOT FIXTURE WIRE to the HOT JUNCTION BOX WIRE (usually black or smooth insulation). DO NOT REVERSE THE HOT AND NEUTRAL CONNECTIONS OR SAFETY WILL BE COMPROMISED
  - b. Connect the GROUND WIRE of the fixture to the GROUND J-BOX WIRE (usually green or bare) with a wire connector (F) and wrap the connection with electrical tape. If there is no ground wire in the J-Box, use a screwdriver to secure the end of the fixture ground wire to the GREEN screw located on the Mounting Plate (D).
7. After all connections are made, gently push the Canopy (A) through the Canopy Screw (G) and twist the Canopy Ring (H) clockwise to tighten the Canopy against the ceiling. Do not over-tighten the screws.
8. Insert 40 watt maximum Type T bulb (not included) into the socket. DO NOT EXCEED THE RECOMMENDED WATTAGE.
9. Fix the Glass Shade over the socket and tighten the Shade clockwise by hand.
10. Restore power to ceiling outlet junction box and test fixture.
11. Installation is complete.