

MIRROR ASSEMBLY INSTRUCTION

Kira Travertine Mirror Large

199164



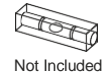
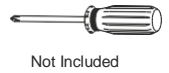
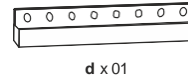
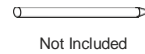
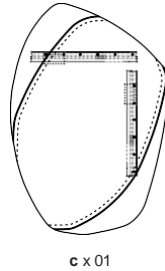
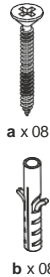
Note: These instructions are provided for your convenience. It is very important that they are read carefully and completely before beginning installation of this item. Assembly by 2 people recommended.

If you are unsure about your wall type or what mounting method you should use, consult a qualified professional or your local hardware store. For safe mounting, it is essential to use wall anchors appropriate to your wall type (i.e. plaster, drywall, concrete). Mount to wood studs whenever possible.

Tools Needed: Drill, Phillips head screw bit, Measuring tape, Bubble Level, Marker

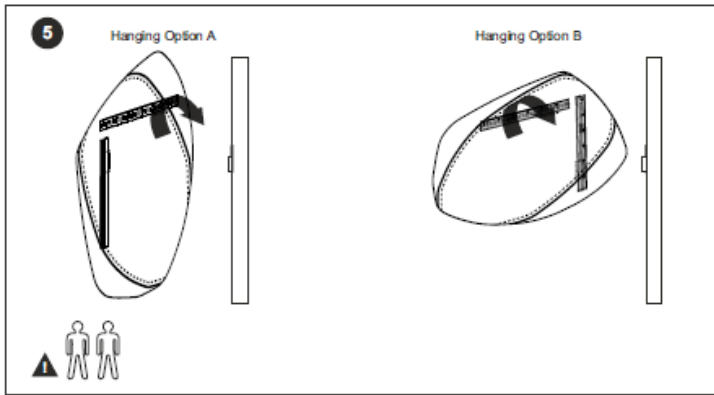
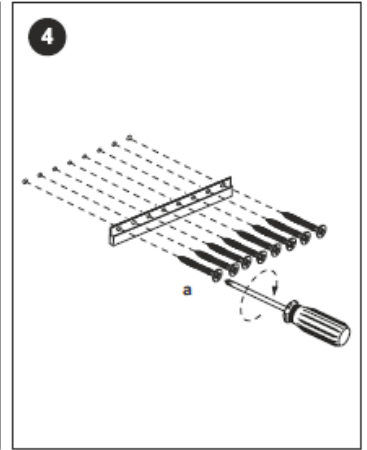
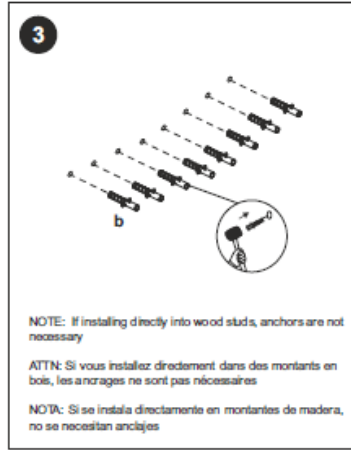
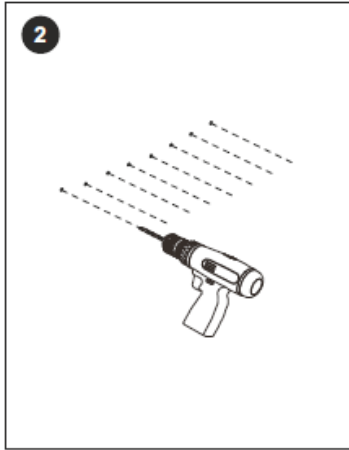
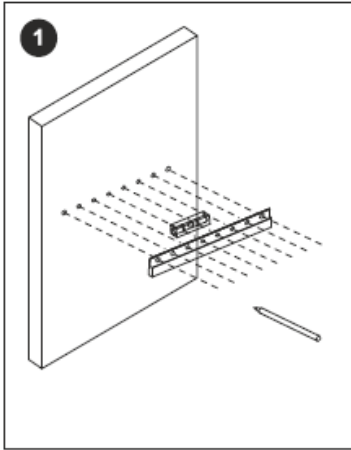
Parts List:

- A) Wall Mounting Screw
- B) Anchor
- C) Mirror Fixture
- D) Wall mounting plate



To Assemble:

- Remove all parts and hardware from the box along with any plastic protective packaging. Do not discard contents until after assembly is complete to avoid accidentally discarding small parts or hardware.
- Place components on a non-scratching surface.
- Determine the desired orientation of the mirror. Mirror is equipped with 4 Male Metal Cleats for horizontal or vertical hanging from all sides.
- Using the appropriate size Female Metal Cleat, position cleat on wall in desired location.
- Mark the hole locations on the wall with pencil.
 - a) NOTE: It is strongly recommended to install cleat with screws attaching directly into wall studs.
- Use bubble level to ensure level positioning.
- Using the drill, pre-drill holes at marked locations.
 - a) NOTE: If mirror location will be installed in sheet rock or masonry, use appropriate drill bit size to accommodate wall anchors at locations between wall studs. Insert anchors until they are flush with the wall.
- Place Female Metal Cleat over hole locations and insert screws accordingly.
- Tighten screws firmly. Do not overtighten.
- Lift the mirror, align the Male and Female Metal Cleats, then slide downwards firmly until cleats engage.
- Installation is complete.



Care instructions:

Wipe up spills immediately with a soft, damp cloth. Do not use cleaning solutions or abrasives.