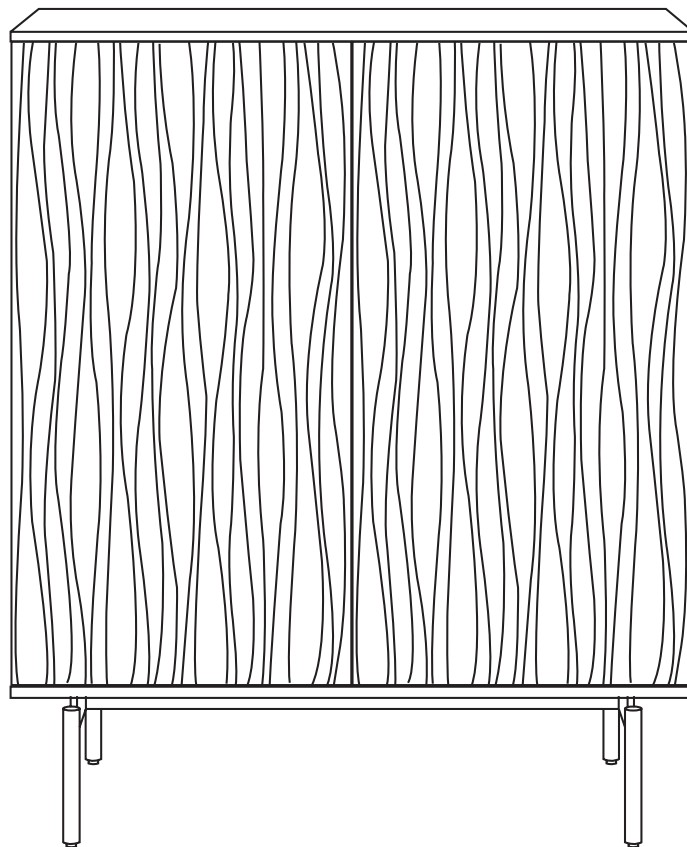


# TANAMI™ BAR 7120

BAR CABINET

## INSTRUCTION MANUAL

**LET'S GET STARTED.**



DESIGN MATTHEW WEATHERLY

**BDi**

BDIUSA.COM



Congratulations on the purchase of your Tanami Bar 7120 from BDI. Your bar cabinet has been designed to provide a lifetime of enjoyment. This manual will provide you with assembly instructions and other helpful information that will ensure that you get the most out of your cabinet. Please save it for future reference.

Your Tanami Bar has been engineered for simple assembly. It is designed for indoor use on level floors. Clean wood, metal, and porcelain surfaces with a damp cloth. Please follow these directions carefully to prevent any damage.

Should you need further assistance, contact BDI at [customerservice@bdiusa.com](mailto:customerservice@bdiusa.com).

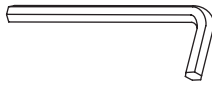
ENJOY!

## HARDWARE AND COMPONENTS


Unpack and identify the parts listed below. The assembly workspace should be a non-marring surface such as carpet. For missing hardware pieces, please contact BDI Customer Service at [customerservice@bdiusa.com](mailto:customerservice@bdiusa.com).

Do not use power tools for assembly of this product.

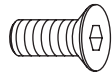
For all other concerns, please contact your BDI retailer.



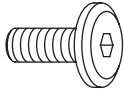
PART #	<b>T1</b>
DESCRIPTION	Hex Wrench
QUANTITY	1



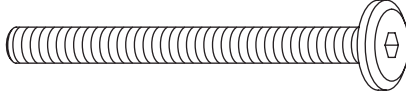
PART #	<b>T2</b>
DESCRIPTION	Leveler Wrench
QUANTITY	1



PART #	<b>H1</b>
DESCRIPTION	M6 x 12mm Flathead Screw
QUANTITY	4



PART #	<b>H2</b>
DESCRIPTION	M6 x 12mm Screw
QUANTITY	8

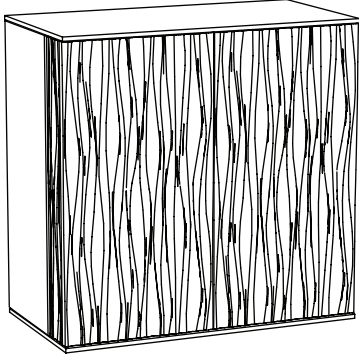


PART #	<b>H3</b>
DESCRIPTION	M6 x 76mm Screw
QUANTITY	2

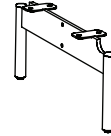


PART #	<b>H4</b>
DESCRIPTION	Adhesive Bumper
QUANTITY	6

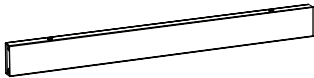
## HARDWARE AND COMPONENTS



PART #	<b>C1</b>
DESCRIPTION	Cabinet
QUANTITY	1



PART #	<b>C2</b>
DESCRIPTION	Leg
QUANTITY	2



PART #	<b>C3</b>
DESCRIPTION	Crossbar
QUANTITY	1



PART #	<b>C4</b>
DESCRIPTION	Glass Top
QUANTITY	1


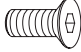


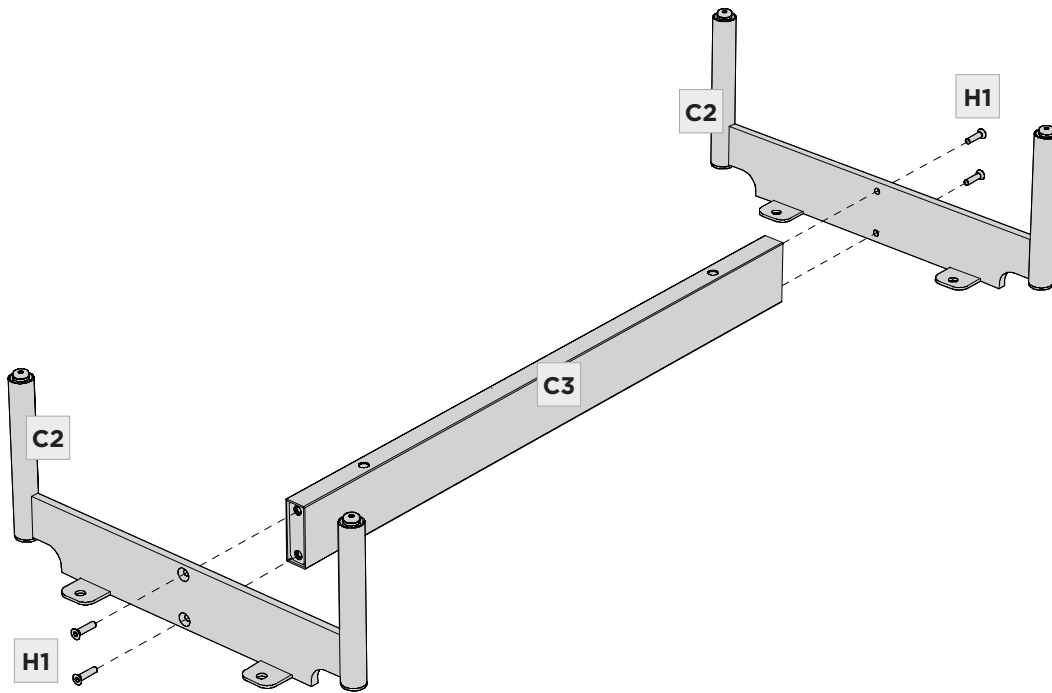
PART #	<b>C5</b>
DESCRIPTION	Adjustable Shelf
QUANTITY	1



PART #	<b>C6</b>
DESCRIPTION	Drawer Liner
QUANTITY	1

Find the **2 (C2) Legs** inside the **(C1) Cabinet**. Position **2 (C2) Legs** towards the ends of **(C3) Crossbar** as shown making sure the countersunk holes on the **(C2) Legs** are facing **outward**. Use **4 (H1) Flathead Screws** and **(T1) Hex Wrench** to assemble the base. **Do not** fully tighten the screws yet.

	PART/DESCRIPTION	QTY
	T1-HEX WRENCH	1
	H1-FLATHEAD SCREW	4




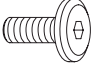
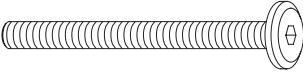
## STEP 2. ATTACH THE BASE

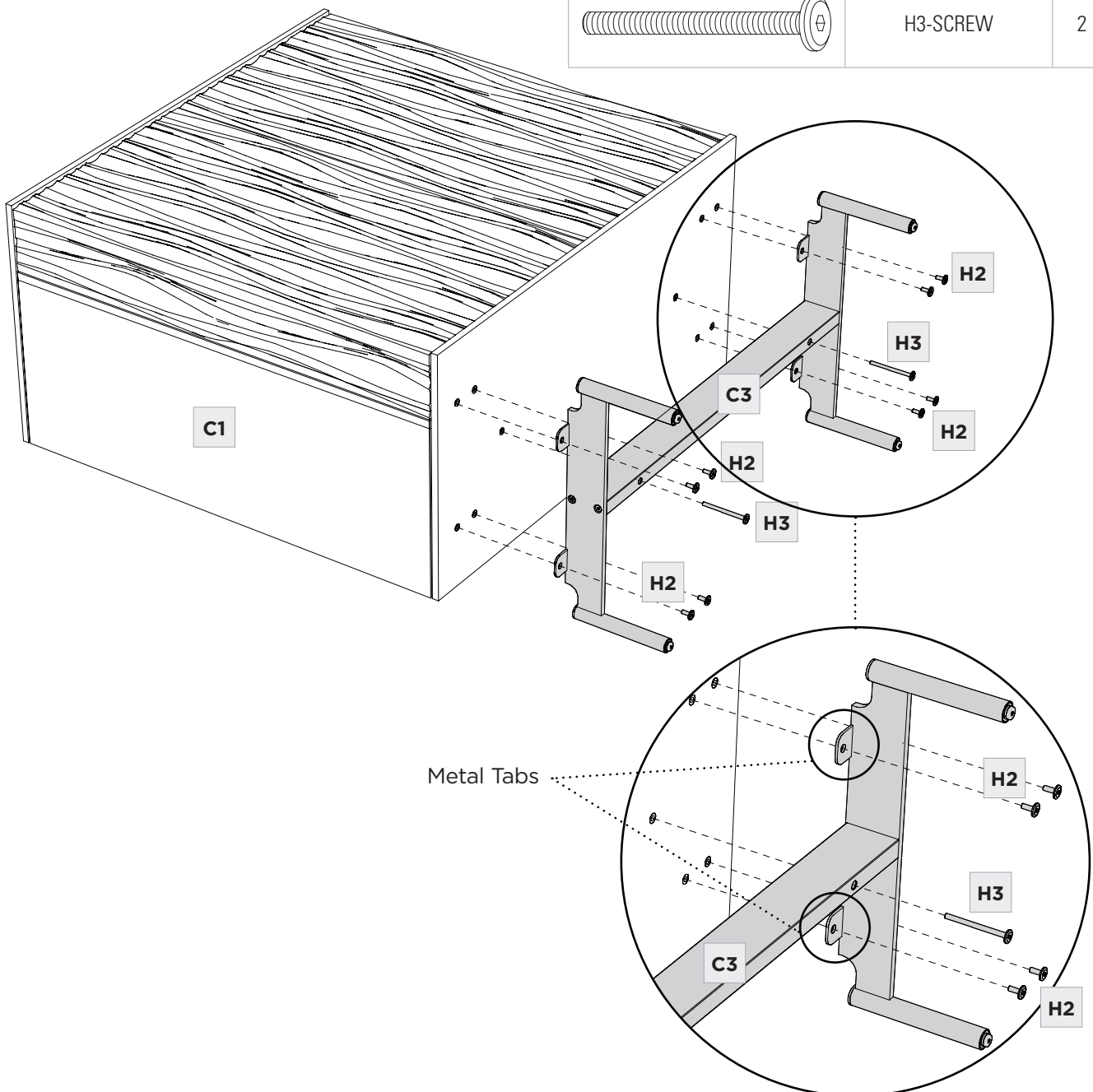
2 PERSON TASK



## ASSEMBLY

With help from another person, carefully position **(C1) Cabinet** on its back (on top of a few layers of packing material). Attach the **base** to the bottom of **(C1) Cabinet** as shown using **8 (H2) Screws going through the metal tabs** and **2 (H3) Screws going through the (C3) Crossbar**. With all screws started, tighten **all** screws with **(T1) Hex Wrench**.

	PART/DESCRIPTION	QTY
	T1-HEX WRENCH	1
	H2-SCREW	8
	H3-SCREW	2



## ASSEMBLY

### STEP 3. ATTACH BUMPERS

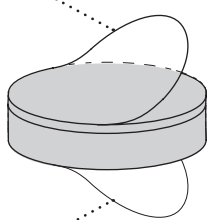
**First**, remove white paper backing and attach **6 (H4) Adhesive Bumpers** to the **bottom** of the **(C4) Glass Top** positioned approximately 1 cm (3/8") away from the edges.

**NOTE: Bottom of the glass is painted white.**

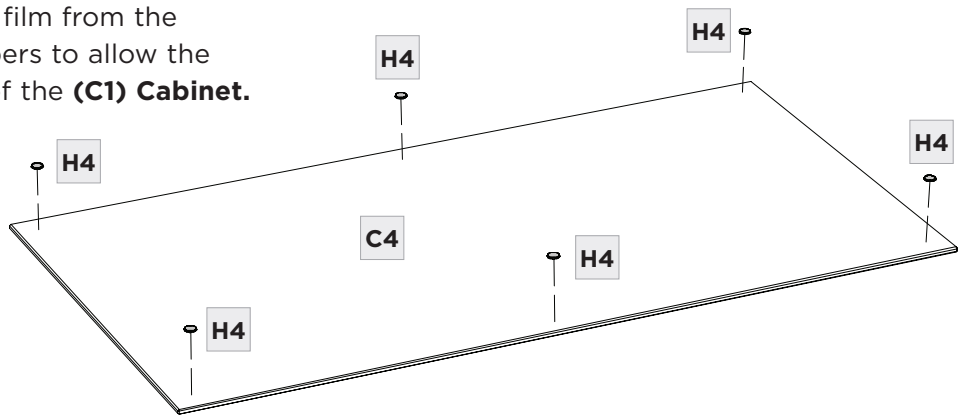
**Second**, remove the clear film from the exposed side of the bumpers to allow the bumpers to grip the top of the **(C1) Cabinet**.

	PART/DESCRIPTION	QTY
	H4-BUMPER	6

2. Remove clear film from grip side



1. Remove paper from adhesive side



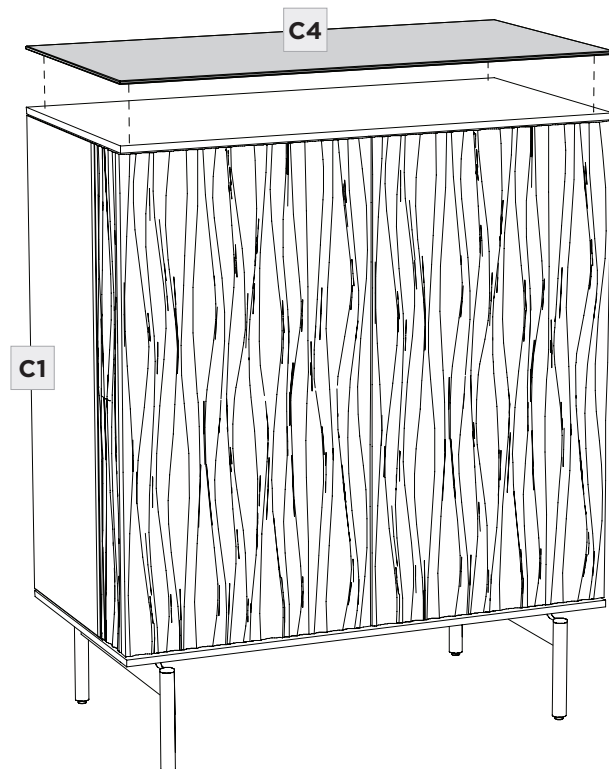
## ASSEMBLY

### STEP 4. PLACE GLASS TOP

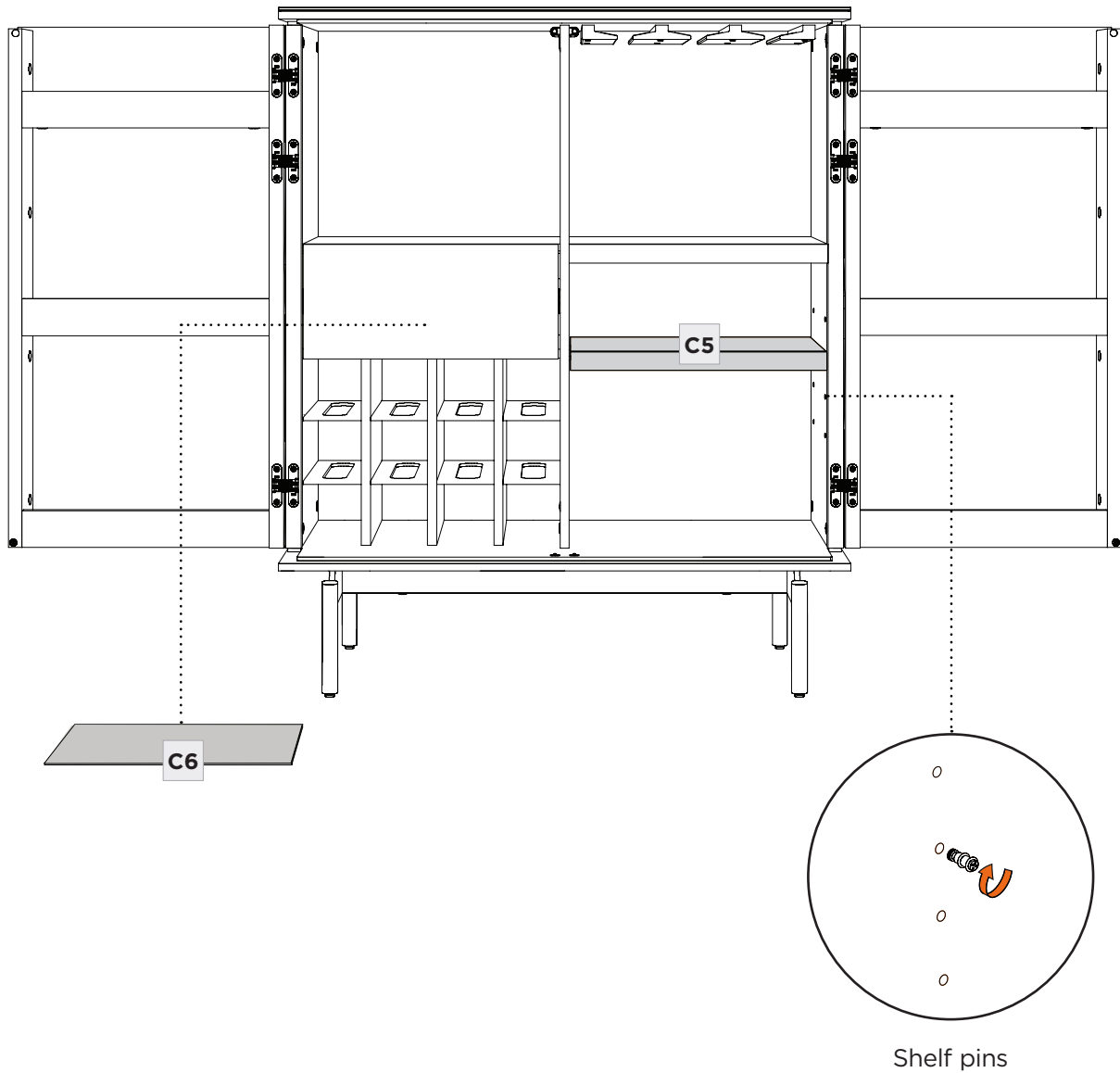
2 PERSON TASK



With help from another person lift and rotate the cabinet onto its base, being careful to prevent it from sliding on the floor. With painted surface and bumpers facing down, place the **(C4) Glass Top** on top of **(C1) Cabinet** and align the edges with the edges of the cabinet.



Install the **(C5) Adjustable Drawer** in the lower right quadrant. Open the drawer and install the **(C6) Drawer Liner**. The shelf height in the lower right quadrant may be adjusted up or down. If desired, unscrew the 4 shelf pins and reposition at the desired level.

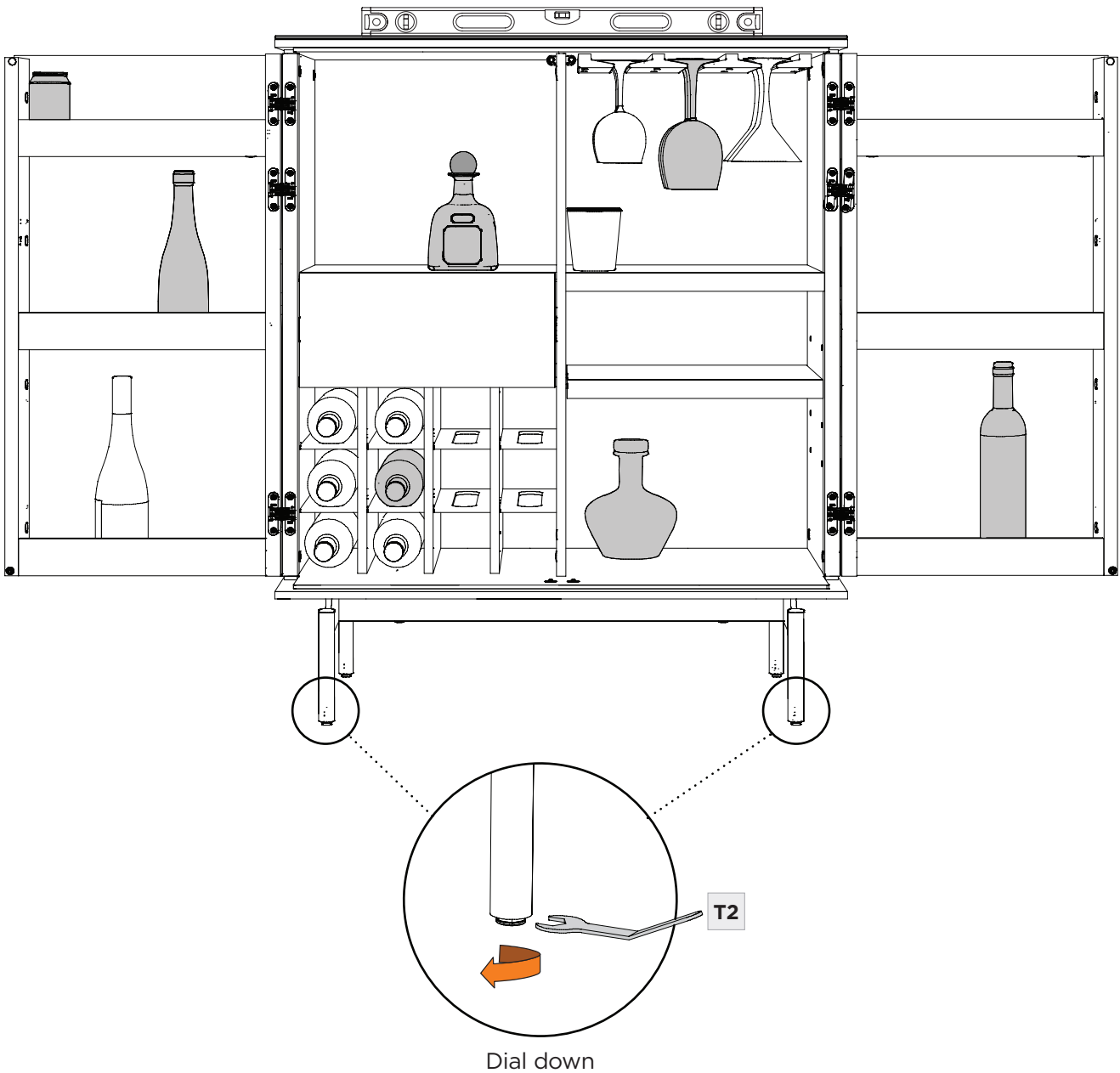


Once the unit is completely assembled and in its final position, adjust the levelers using **(T2) Leveler Wrench**. To hold the doors in an open position, partially dial out the two front levelers. This action will tilt the cabinet back slightly, preventing the open doors from swinging towards their closed position.

	PART/DESCRIPTION	QTY
	T2-LEVELER WRENCH	1

**Next**, leveling the cabinet from side-to-side will help align the 2 front doors.

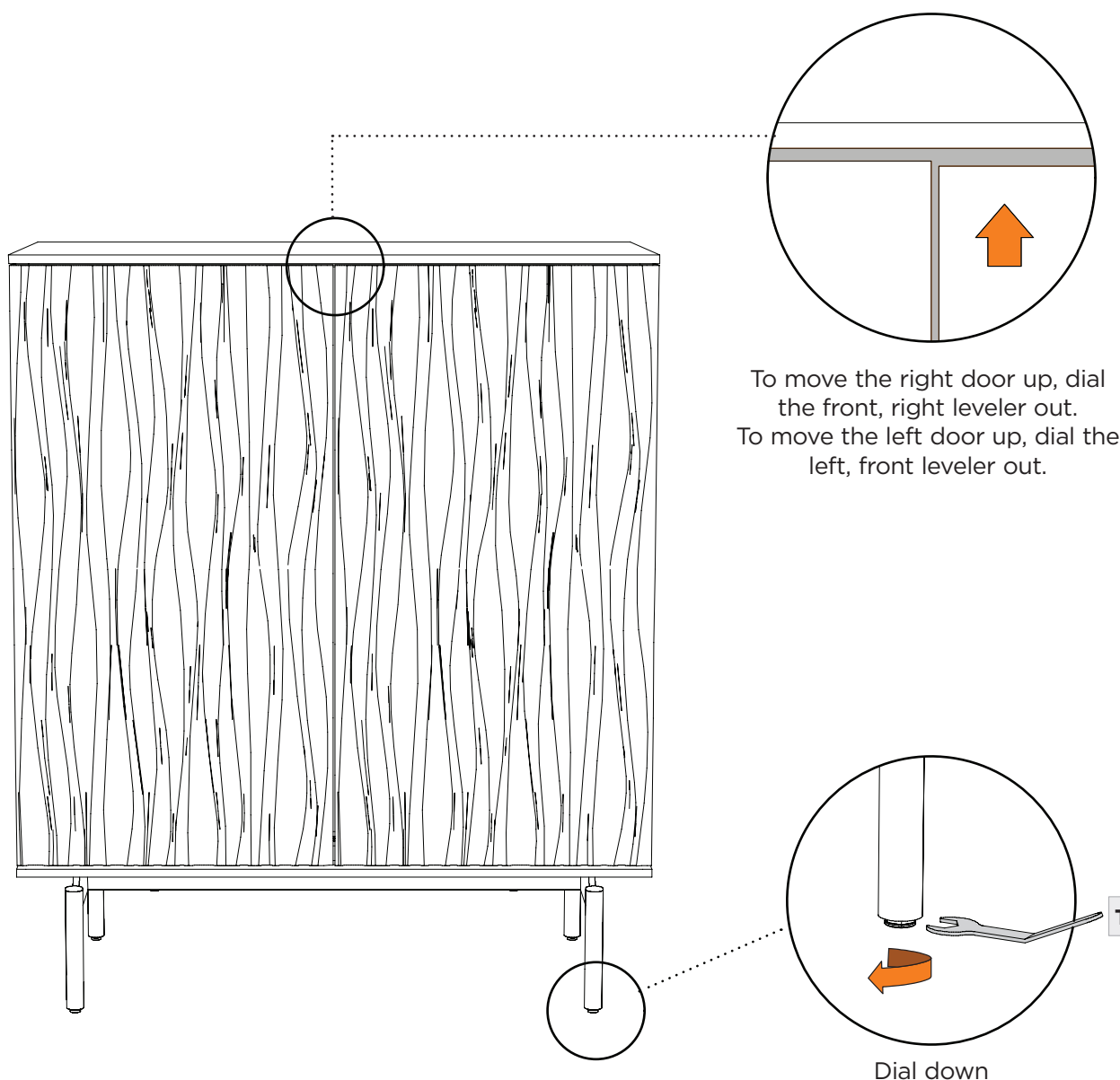
Level side-to-side



With both doors closed, check to see if the top corners of the doors align. If not, dial out the corresponding front leveler under the door that is sagging.

**Example: If the door on the right is low, dial out the right front leveler to raise the door back into alignment with the left door**

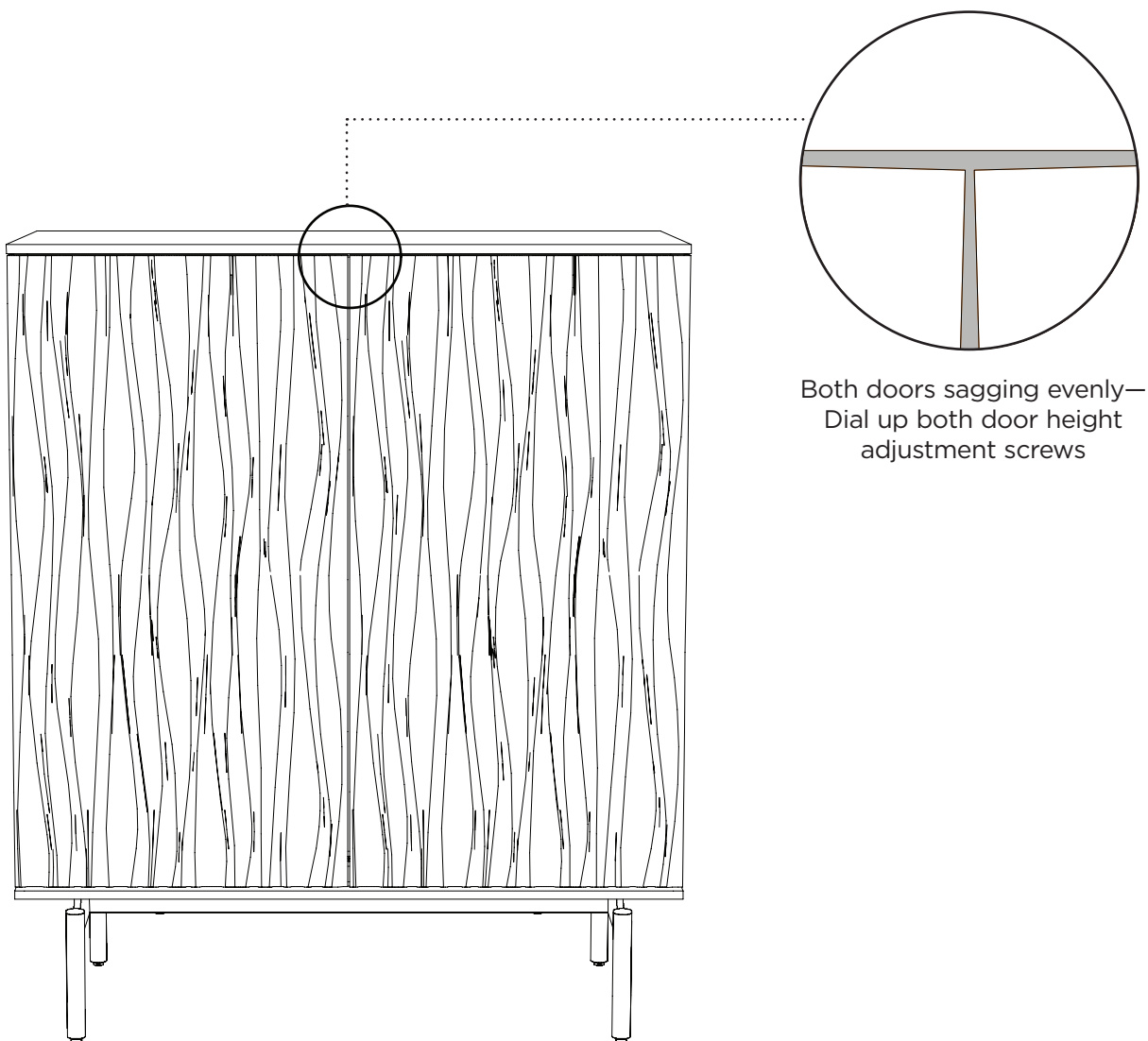
	PART/DESCRIPTION	QTY
	T2-LEVELER WRENCH	1

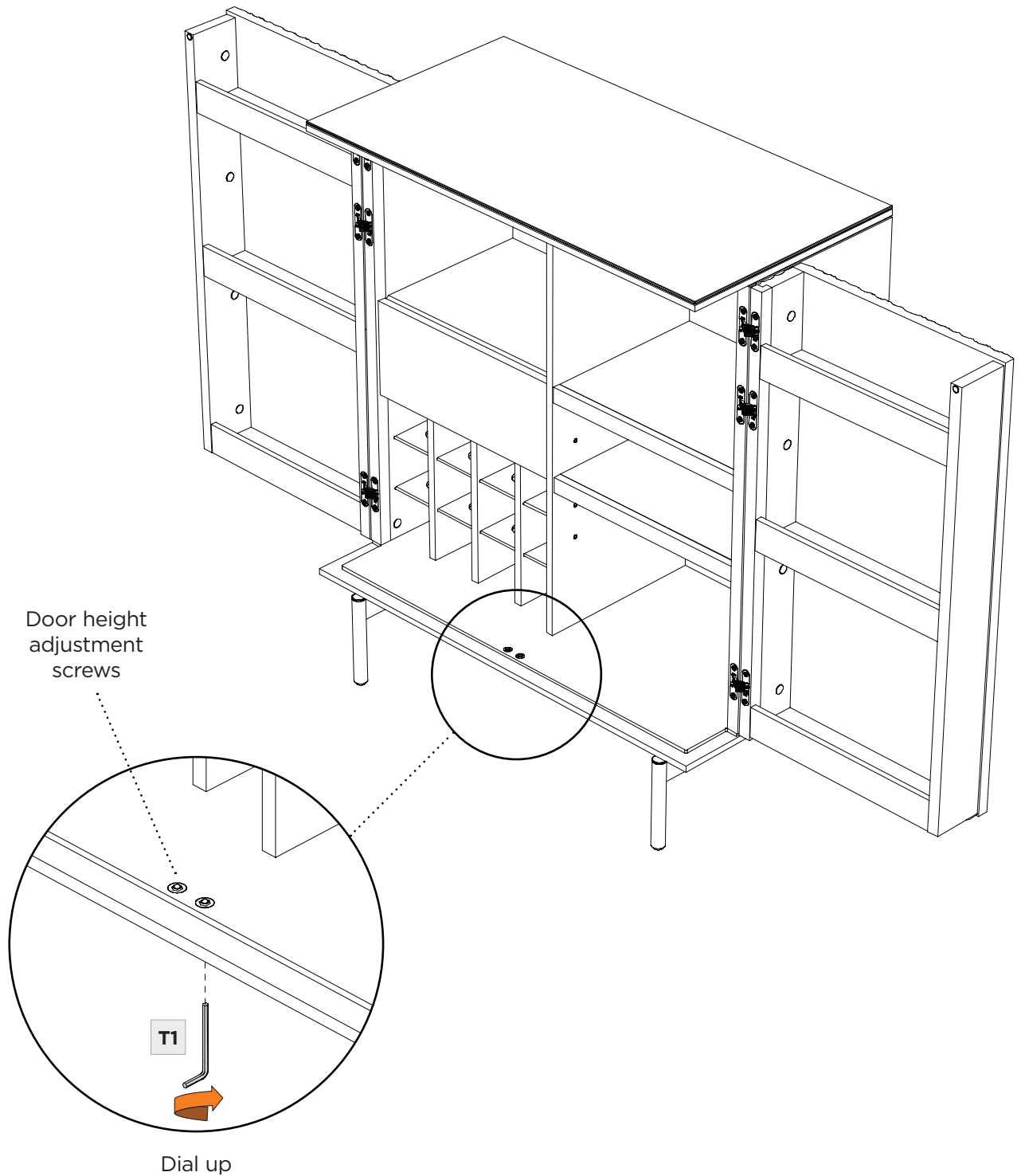


**Finally**, if when closed, the gap between the doors is more narrow at the top versus the bottom, this can be remedied by adjusting the **door height adjustment screws** located on the bottom front edge of the base.

	<b>PART/DESCRIPTION</b>	<b>QTY</b>
	T1-HEX WRENCH	1

To adjust the **door height adjustment screws**, insert the **(T1) Hex Wrench** into the holes just under the adjustment screws and adjust either **up** or **down** as needed. Adjust 1 or both of the screws as needed. For realtime feedback, close both doors and watch the door gap as you turn the adjustment screws.





## CARE & MAINTENANCE

### GLASS

Glass surface is maintained using household glass cleaner and a paper towel or cloth.

### SATIN-ETCHED GLASS

This uniquely smooth-to-the-touch glass surface can be regularly maintained using household glass cleaner and a paper towel or cloth. Minor scratches or scuffs not eliminated using paper towel or cloth can usually be removed by using a 'Magic Eraser'. Magic Eraser is a melamine foam product available at any grocery store or home improvement center. Dampen the entire glass surface as well as the Magic Eraser, then rub the entire glass surface in broad, even strokes using moderate pressure. Clean and dry the surface with a paper towel. Check for results and repeat as necessary.

Any scratches or scuffing not eliminated by one of the above methods can often be addressed by 'refreshing' the glass. This is a process that should not be required more than once per 6-12 months. See this brief video for the simple method: [www.bdiusa.com/glass](http://www.bdiusa.com/glass)

### WOOD

Wood surfaces should be cleaned with a slightly damp (not saturated) cloth or paper towel. Do not use glass cleaner on wood. If moisture remains, dry the surface with another cloth. If needed, a gentle non-abrasive cleanser may be used, but be sure to wipe away all cleaner residue and dry the surface with a cloth.

BDI's wood finishes feature natural hardwood solids and veneers. Wood is a product of nature and—unlike man-made materials that can be manufactured to strict and consistent specifications—has natural imperfections that are part of its appeal and character. Every piece of wood differs from every other, even when coming from the very same tree. As such, variation in grain, texture and tone should be expected from one panel or piece of furniture to the next.

While BDI's stained wood finishes are stable in tone & appearance, all finishes are subject to some degree of discoloration with prolonged exposure to direct sunlight. Please take care to avoid positioning your BDI cabinet in any area with extensive direct sunlight. To learn more about the features of natural wood, visit [www.bdiusa.com/wood](http://www.bdiusa.com/wood)

### METAL & PAINTED SURFACES

Surfaces should be cleaned with a slightly damp (not saturated) cloth or paper towel. If moisture remains, dry the surface with another cloth. If needed, a gentle non-abrasive cleanser may be used, but be sure to wipe away all cleaner residue and dry the surface with a cloth.

BDI warrants to the original purchaser that for the below stated warranty term, BDI will repair or replace any product, part, or component covered by this warranty which fails under normal use as a result of a defect in material or workmanship. BDI will repair or replace the aforementioned product, part or component with a comparable product, part or component. The decision to repair or replace will be at BDI's sole discretion.

BDI Home Theater Furniture, Office Furniture, Modular Systems, Tables and other furniture pieces are warranted for three (3) years from the date of purchase as shown on your sales receipt. The warranty period starts from the date of purchase. This warranty extends only to the original purchasers who acquire new product from BDI Authorized Resellers. Any product, part, or component must have been assembled, installed, used, and maintained according to BDI's published instructions in order to be eligible for warranty coverage. Any modification to the original product voids the warranty.

To view BDI's complete warranty information, visit [www.bdiusa.com/warranty](http://www.bdiusa.com/warranty)

## PRODUCT REGISTRATION

Registering your new BDI product allows us to send you important product updates, service information and helpful hints related to your BDI products. Register today, and you will be entered to win free a BINK table from BDI: [www.bdiusa.com/register](http://www.bdiusa.com/register)



## WARNING

**SERIOUS OR FATAL CRUSHING INJURIES CAN OCCUR FROM FURNITURE TIP-OVER. TO HELP PREVENT TIP-OVER:**

- Install tip-over restraint.
- Place heaviest items in lower compartments.
- Never allow children to climb or hang on drawers, doors or shelves.
- Never open more than one drawer at a time.

**USE OF TIP-OVER RESTRAINT MAY REDUCE—BUT NOT ELIMINATE—THE RISK OF TIP-OVER.**



**BDIUSA.COM**

These distinctive product configurations are protected by US and international patents, trade dress, and/or copyright laws. Tanami & BDI are trademarks of Becker Designed, Inc. All rights reserved. ©2020, BDI | V.03.17.2020

Made in China.