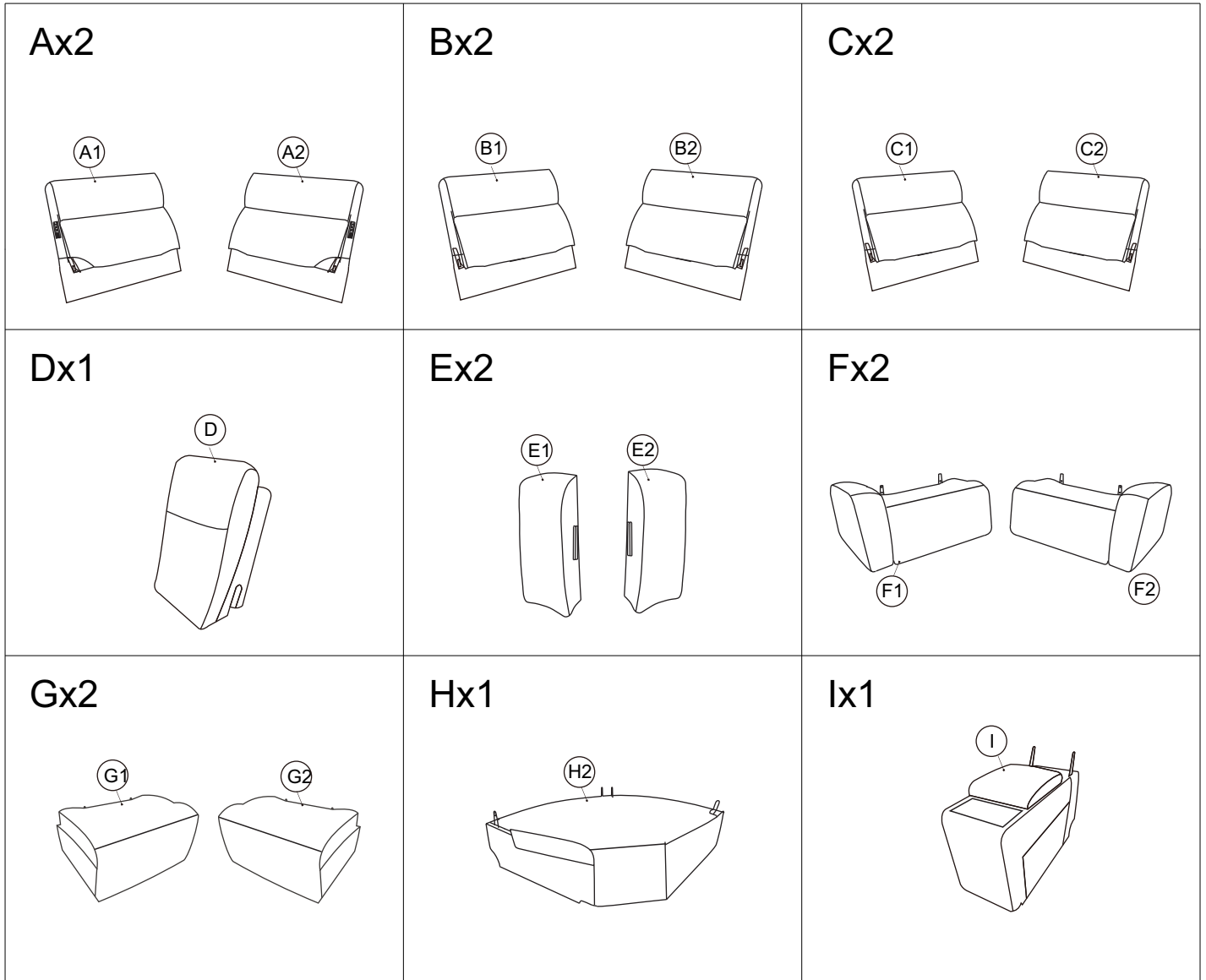
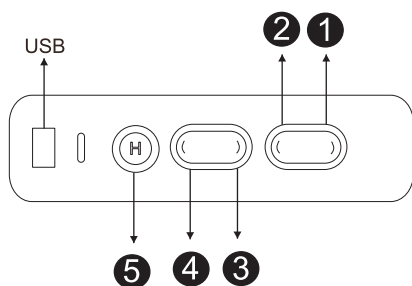
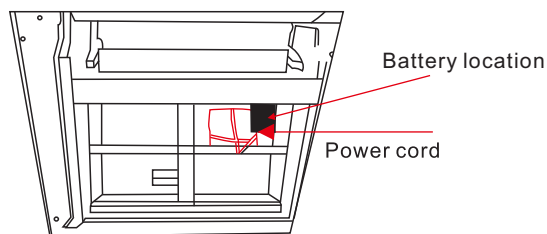


LANCASTER SECTIONAL ASSEMBLY INSTRUCTIONS



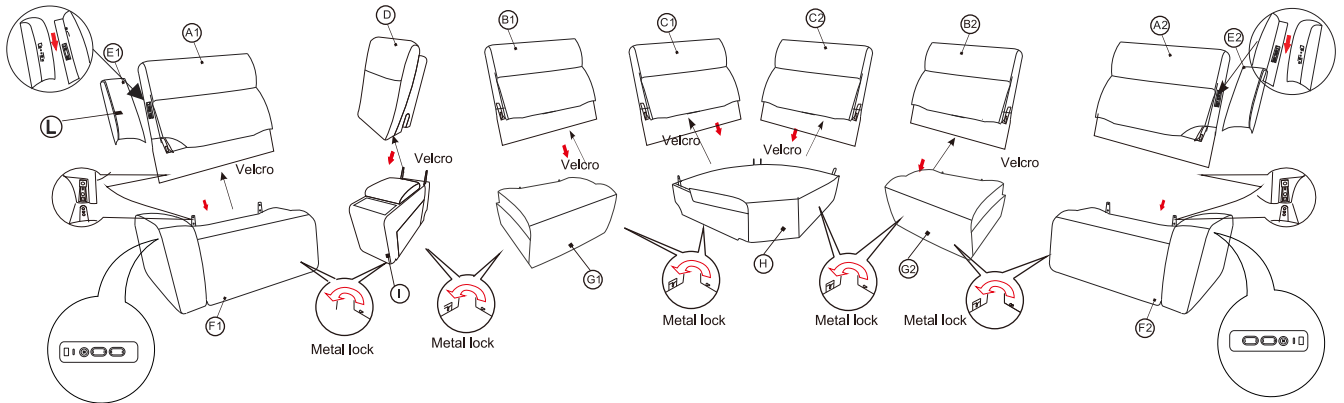
Untie the power cord before removing the product from the carton.



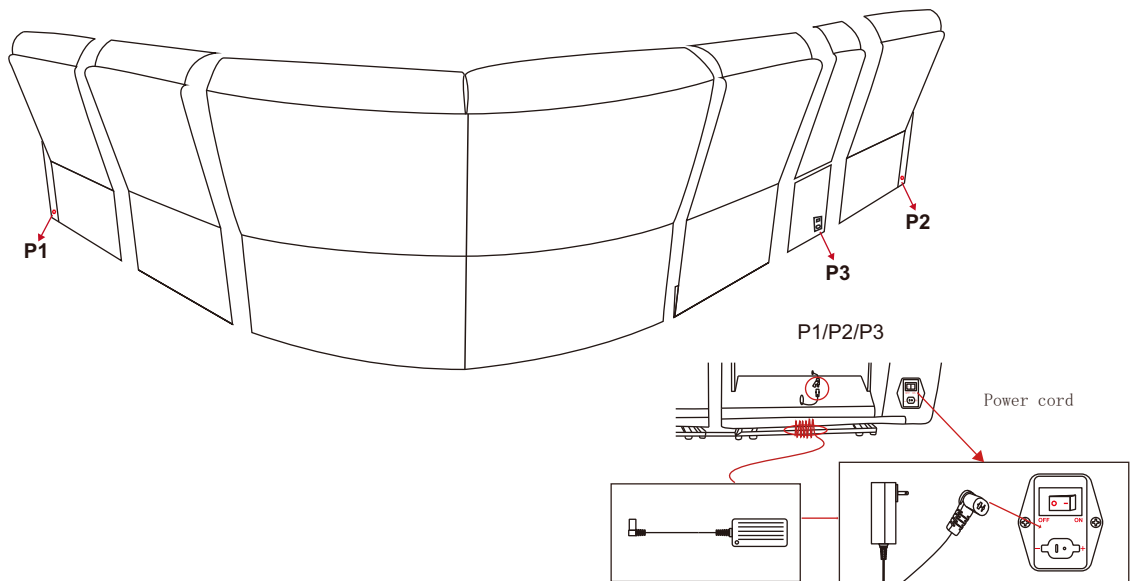
1. Press button **1** to recline the chair to desired position.
2. Press button **2** to raise the chair to the upright position.
3. Press button **3** to activate the headrest forward.
4. Press button **4** to return headrest to the closed position
5. Press button **5** Home button returns both footrest and headrest to the original upright/closed position.

LANCASTER SECTIONAL ASSEMBLY INSTRUCTIONS

Connecting parts.

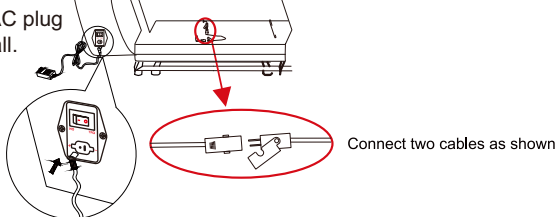


Install the Back cushion into the Body by positioning the female metal receiver brackets over the male metal posts. Ensure that the female metal receives brackets on each side line up with the seat metal posts. Push the backrest down until each side is locked into place and an audible "click" is heard.



For the left end
Connecting power cord

Insert AC plug into wall.



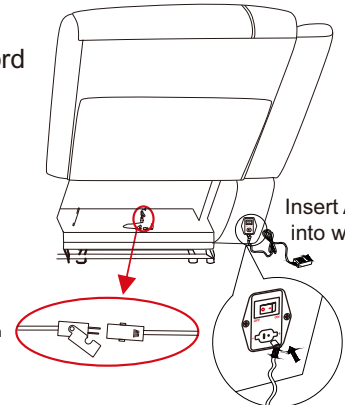
Insert power cord into port behind unit.

*Power cord is packed and tied under unit onto mechanism in red bag

For the right end
Connecting power cord

Insert AC plug into wall.

Connect two cables as shown



*Power cord is packed and tied under unit onto mechanism in red bag

Insert power cord into port behind unit.