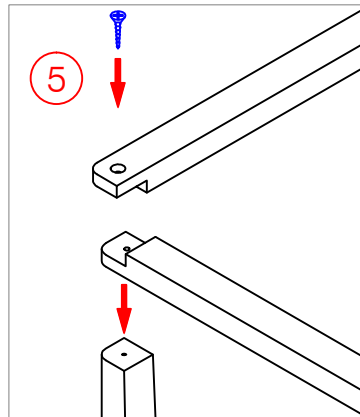


[] 2 Person Assembly Required*

1. Hook a storage box to headboard while center rail rests on headboard cleat [*]. Push down on bed rail to lock in place. Repeat with second storage box.
2. Hook footboard to storage boxes while keeping center rails on footboard cleat [*]. push down on bed rail to lock in place.
3. Lay slats on bed rails (double-sided tape up), and stretch into place against blocks on bed rails.
4. Peel paper backing from double-sided tape (qty. 8) on slats. Place hardboard dust covers (qty. 2) against inside of each bed rail and on top of slats, and press dust covers down firmly on tape.
5. Remove 1-3/4" long screws (qty. 4) from top of bed posts, then attach canopy frame to bed post tops and re-insert 1-3/4" long screws [*].



Parts List	
(A)	Headboard (1 pc)
(B)	Footboard (1 pc)
(C)	Storage Box (2 pcs)
(D)	Slats (1 set)
(E)	Double-Sided Tape (8 pcs)
(F)	Dust Cover (2 pcs)
(G)	Canopy Frame (4 pcs)

CAUTION: Do not slide assembled bed across floor. Damage to bed may result.

