

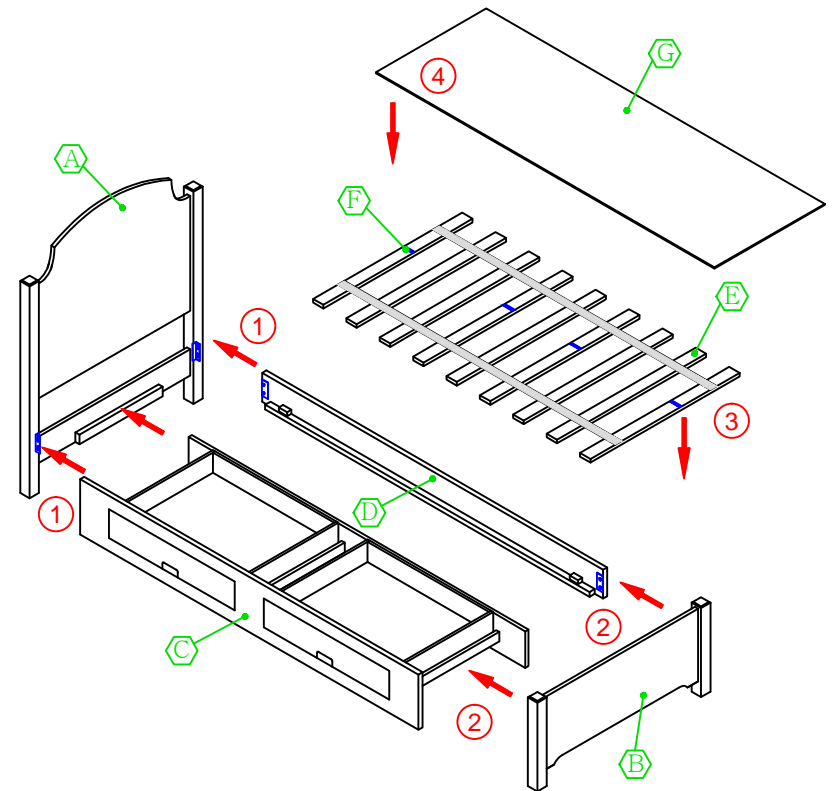
[] 2 Person Assembly Required*

1. Hook bed rail to headboard. Hook storage box to headboard with center rail resting on headboard cleat [*]. Push down on bed rails to lock in place. (Storage box can be used on left or right side of bed).
2. Hook footboard to bed rail and storage box with center rail resting on footboard cleat [*]. Push down on bed rails to lock in place.
3. Lay slats on bed rails (double-sided tape up), and stretch into place against blocks on bed rails.
4. Peel paper backing from double-sided tape (qty. 4) on slats. Place hardboard dust cover (qty. 1) against bed rail and on top of slats.

Parts List

- (A) Headboard (1 pc)
- (B) Footboard (1 pc)
- (C) Storage Box (1 pc)
- (D) Bed Rail (1 pc)
- (E) Slats (1 set)
- (F) Double-Sided Tape (4 pcs)
- (G) Dust Cover (1 pc)

CAUTION: Do not slide assembled bed across floor. Damage to bed may result.



GAT CREEK
SOLID AMERICAN-MADE FURNITURE

Assembly Instructions
Franklin Storage Bed – Single

Rev 13.12.19