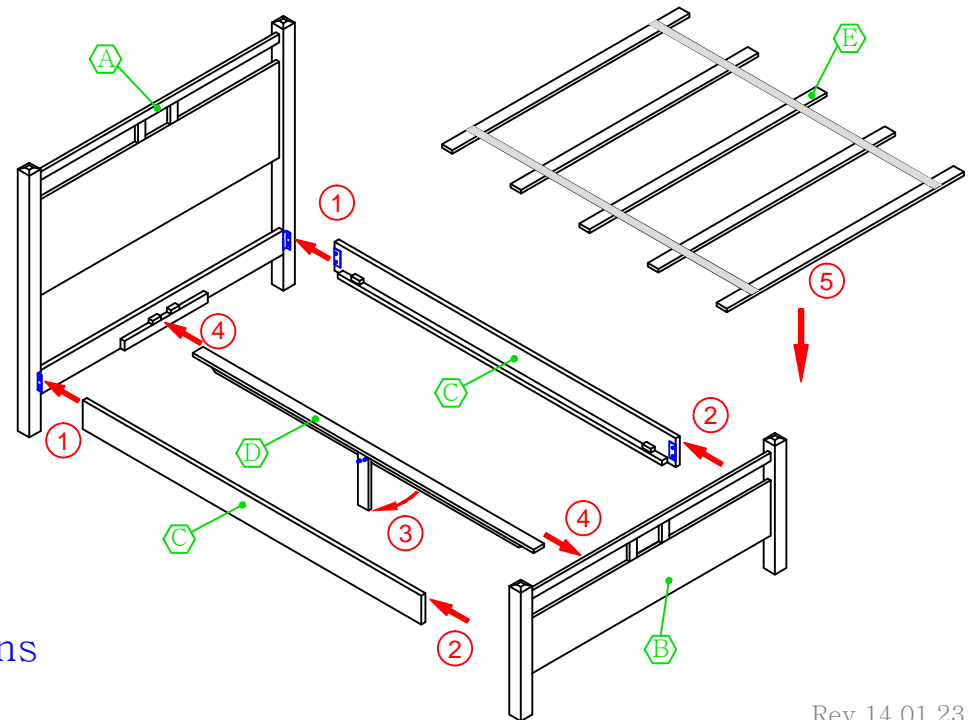


1. Hook each bed rail to headboard. Push down on bed rail to lock in place.
2. Hook footboard to each bed rail. Push down on bed rail to lock in place.
3. Remove thumbscrews (qty. 2) from center leg, turn leg to upright position and flip over to align with holes, re-insert thumbscrews and tighten. (Not included with Single or Double Beds).
4. Put center support in place. (Not included with Single or Double Beds).
5. Lay slats on bed rails, and stretch into place against blocks on bed rails.

Parts List

- Ⓐ Headboard (1 pc)
- Ⓑ Footboard (1 pc)
- Ⓒ Bed Rail (2 pcs)
- Ⓓ Center Support (1 pc)
- Ⓔ Slats (1 set)

CAUTION: Do not slide assembled bed across floor. Damage to bed may result.



GAT CREEK
SOLID AMERICAN-MADE FURNITURE

Assembly Instructions
Easton Bed

Rev 14.01.23