

EST. *B* 1991

BRAMBLE

PRODUCT TEARSHEET



Martin Barstool - Teak

Shown in: **TRN**

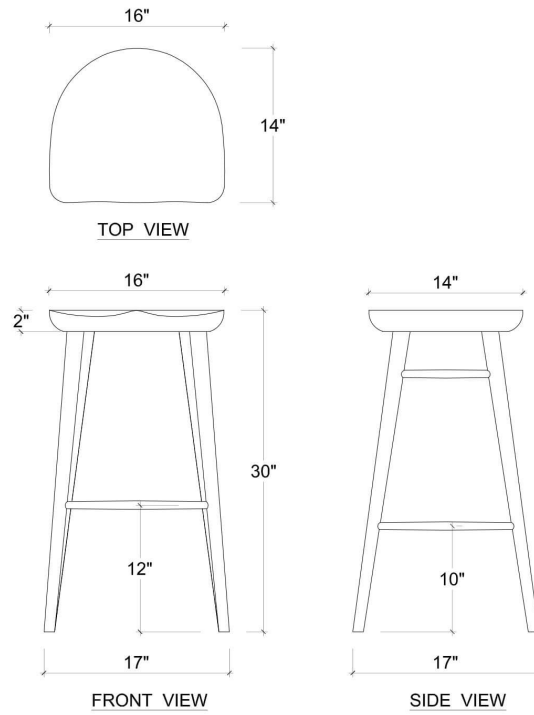
SKU: **85189**

Size: **17W x 17D x 30H in**



Overview

Martin Barstool



Visual Highlights



Technical Specification

Dimensions	17W x 17D x 30H in	CBM	0.191232
Number of Packages	1	Cubic Feet	6.75 ft³
Package 1 Dimensions	18.9 x 18.9 x 32.7 in	Net Weight	19.84 lbs
Package Weight Total	24.25 lbs		
Material	Teak		

<https://www.brambleco.com/85189>
