



BRAMBLE

PRODUCT TEARSHEET



# Tuscan Rectangular Coffee Table w/ Metal - Teak

---

Shown in: **VRU TSB**

SKU: **85152**

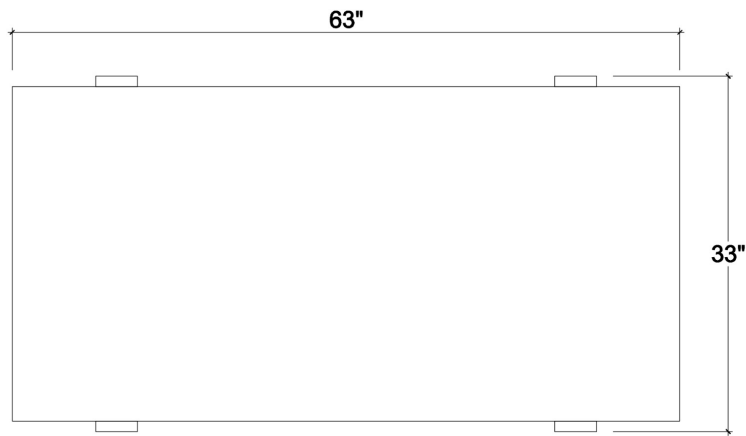
Size: **63W x 33D x 18H in**



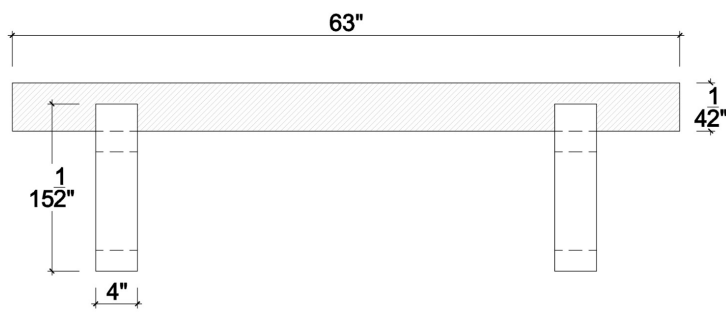
## Overview

---

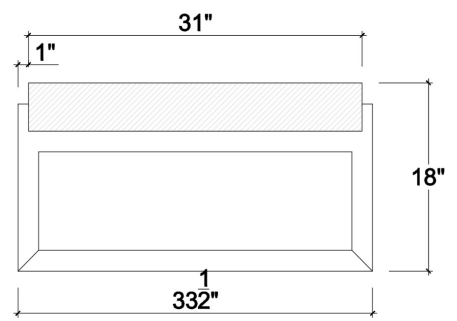
Tuscan Rectangular Coffee Table w/ Metal - Teak (formerly Ariel Urban Coffee Table)



TOP VIEW



FRONT VIEW



SIDE VIEW

## Visual Highlights

---



## Technical Specification

---

Dimensions	<b>63W x 33D x 18H in</b>	CBM	<b>0.360588</b>
Number of Packages	<b>2</b>	Cubic Feet	<b>12.73 ft<sup>3</sup></b>
Package 1 Dimensions	<b>64.6 x 33.1 x 7.3 in</b>	Net Weight	<b>35.27 lbs</b>
Package 2 Dimensions	<b>35 x 17.3 x 10.6 in</b>		
Package Weight Total	<b>41.89 lbs</b>		
Material	<b>Teak</b>		

---

<https://www.brambleco.com/85152>