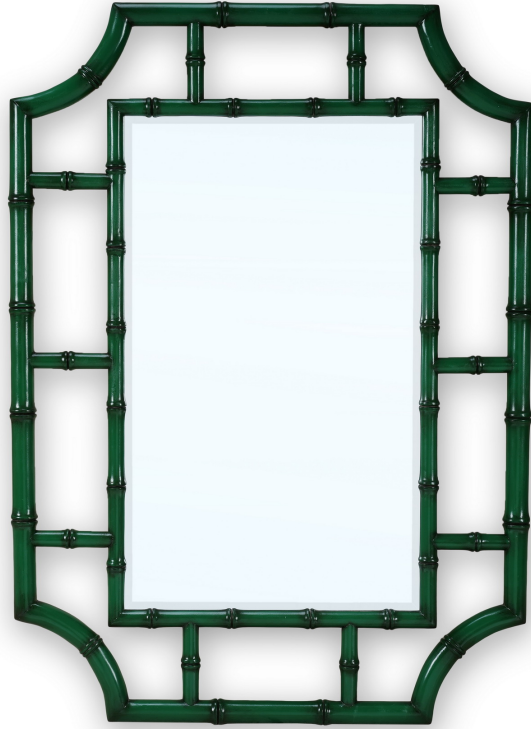


EST. *B* 1991

BRAMBLE

PRODUCT TEARSHEET



Bamboo Mirror Smaller Size

Shown in: **JGR**

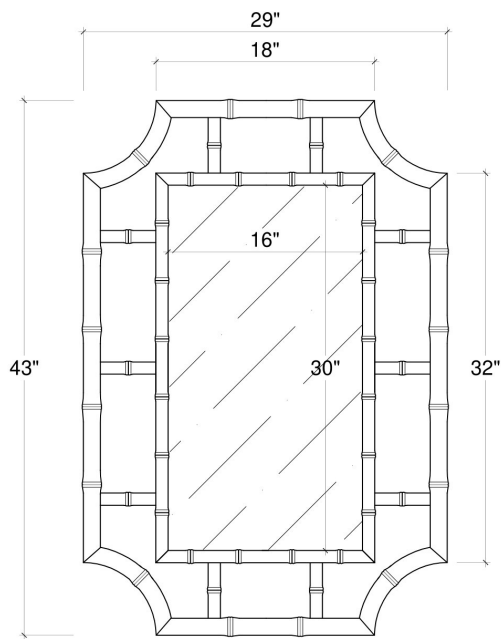
SKU: **76709**

Size: **30W x 1D x 43H in**



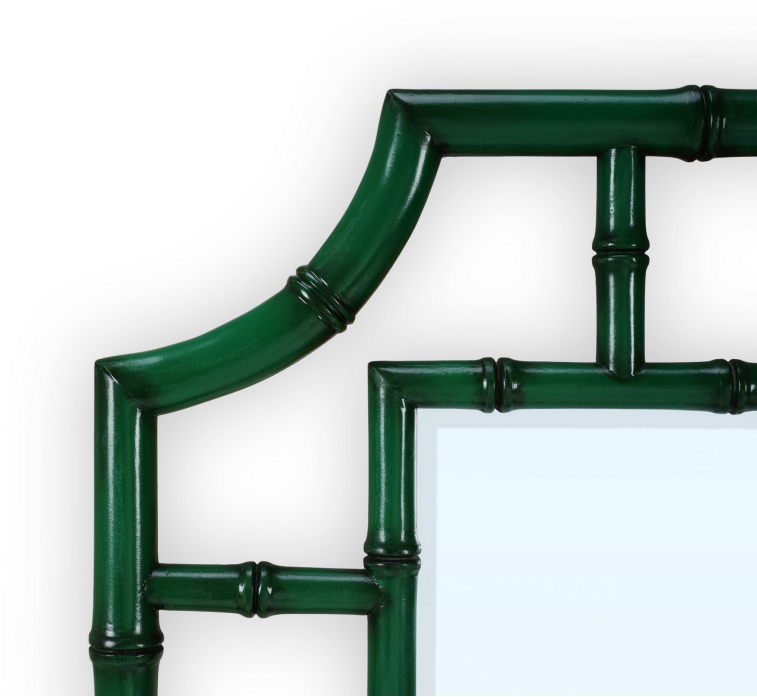
Overview

Bamboo Mirror Smaller Size



FRONT VIEW

Visual Highlights



Technical Specification

Dimensions	30W x 1D x 43H in	CBM	0.064701
Number of Packages	1	Cubic Feet	2.28 ft³
Package 1 Dimensions	31.1 x 2.8 x 46.1 in	Net Weight	13.23 lbs
Package Weight Total	14.33 lbs		

<https://www.brambleco.com/76709>
