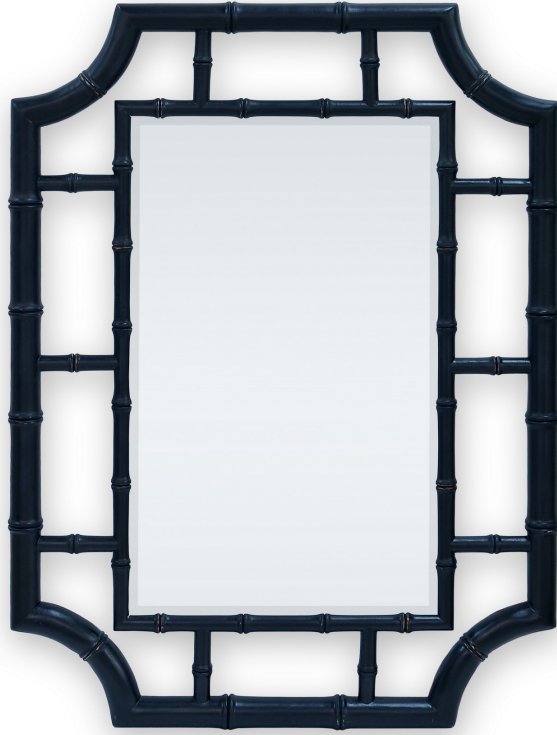


EST. *B* 1991

BRAMBLE

PRODUCT TEARSHEET



Bamboo Mirror

Shown in: **BBA**

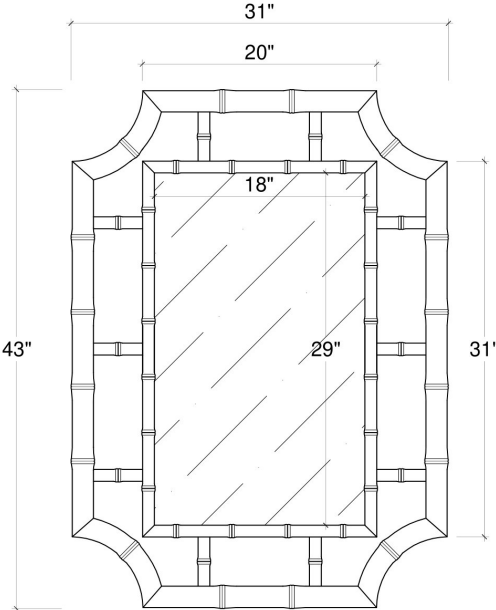
SKU: **76708**

Size: **31W x 2D x 43H in**



Overview

Bamboo Mirror



FRONT VIEW

Visual Highlights





Technical Specification

Dimensions	31W x 2D x 43H in	CBM	0.088452
Number of Packages	1	Cubic Feet	3.12 ft³
Package 1 Dimensions	33.1 x 3.5 x 46.1 in	Net Weight	19.84 lbs
Package Weight Total	20.94 lbs		

<https://www.brambleco.com/76708>
