



BRAMBLE

PRODUCT TEARSHEET



Milan Linen Wrapped Side Table

Shown in: **FDOW**

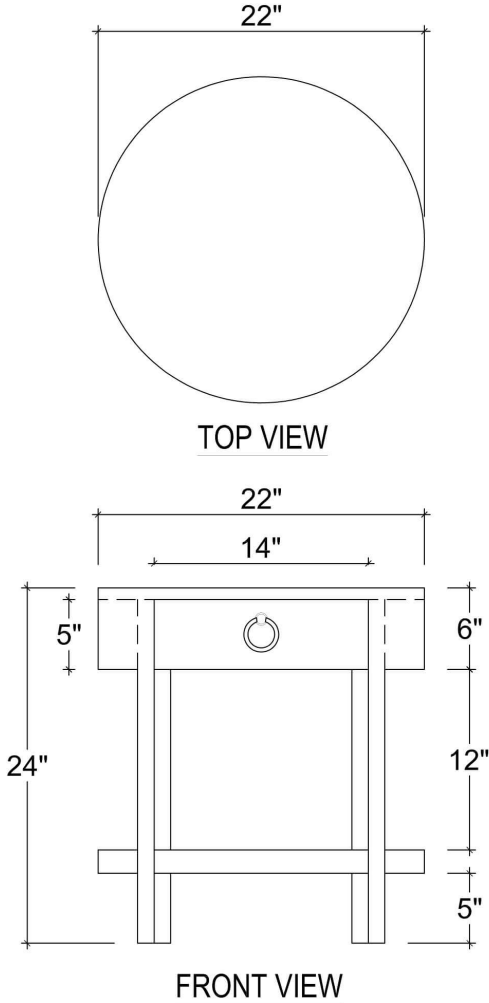
SKU: **76641**

Size: **22W x 22D x 24H in**



Overview

Milan Linen Wrapped Side Table



Visual Highlights





Technical Specification

Dimensions	22W x 22D x 24H in	CBM	0.2448
Number of Packages	1	Cubic Feet	8.65 ft³
Package 1 Dimensions	23.6 x 23.6 x 26.8 in	Package 1 Weight	30.86 lbs
Package Weight Total	30.86 lbs	Net Weight	26.46 lbs
Material	Mahogany with a linen wrap		

<https://www.brambleco.com/76641>
