



BRAMBLE

PRODUCT TEARSHEET



Ringo Drum Table

Shown in: **FDOW**

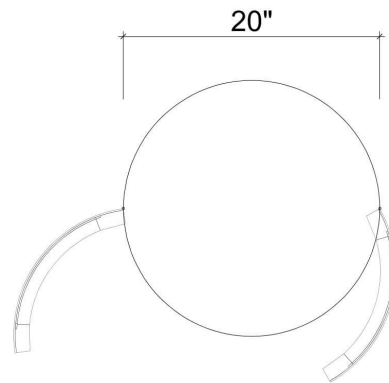
SKU: **76636**

Size: **20W x 20D x 28H in**

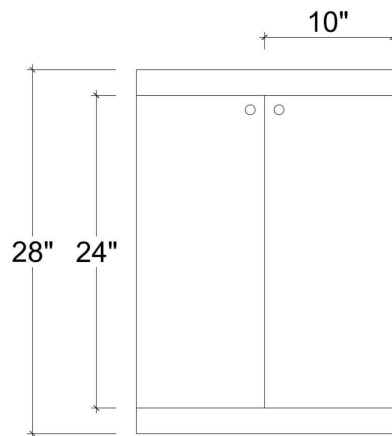


Overview

Ringo Drum Table



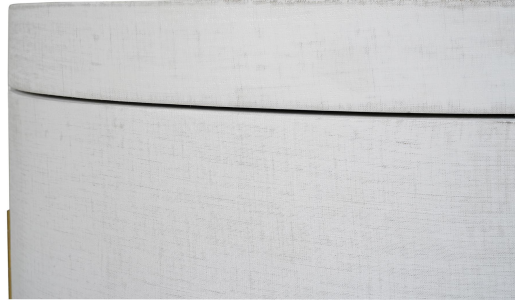
TOP VIEW



FRONT VIEW

Visual Highlights





Technical Specification

Dimensions	20W x 20D x 28H in	CBM	0.227448
Number of Packages	1	Cubic Feet	8.03 ft³
Package 1 Dimensions	21.3 x 21.3 x 30.7 in	Package 1 Weight	30.86 lbs
Package Weight Total	30.86 lbs	Net Weight	26.46 lbs
Material	Mahogany with a linen wrap		

<https://www.brambleco.com/76636>
