



BRAMBLE

PRODUCT TEARSHEET



Fleet 2 Door Sideboard

Shown in: **OFW**

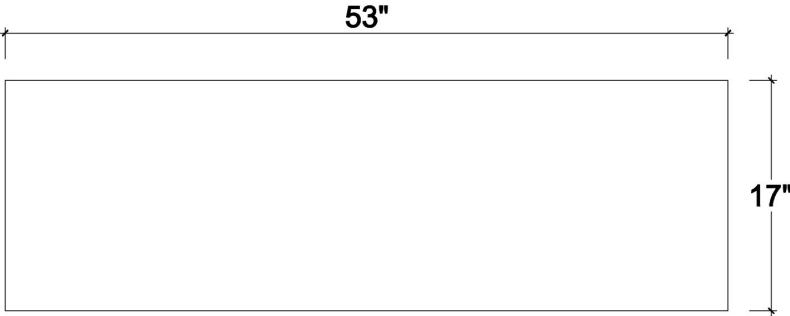
SKU: **76600**

Size: **53W x 17D x 43H in**

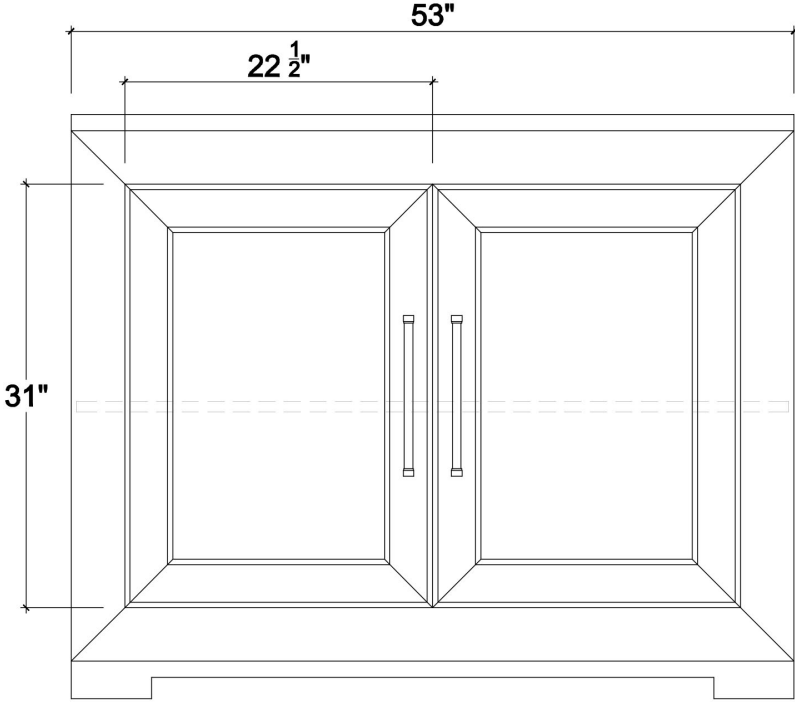


Overview

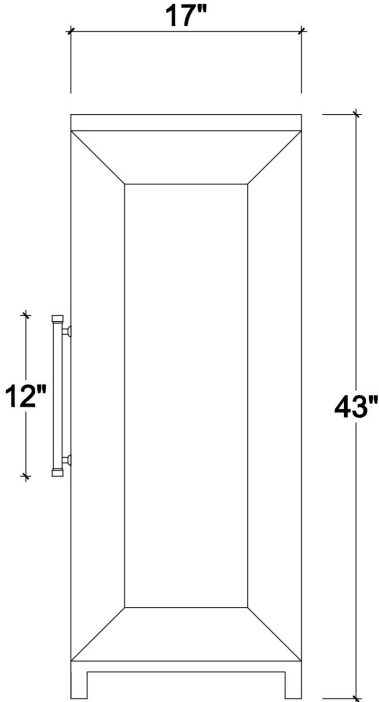
Fleet 2 Door Sideboard



TOP VIEW



FRONT VIEW



SIDE VIEW

Visual Highlights





Technical Specification

Dimensions	53W x 17D x 43H in	CBM	0.757828
Number of Packages	1	Cubic Feet	26.76 ft³
Package 1 Dimensions	54.7 x 18.5 x 45.7 in	Package 1 Weight	114.64 lbs
Package Weight Total	114.64 lbs	Net Weight	103.62 lbs
Material	Mahogany, Rattan		

<https://www.brambleco.com/76600>
