



BRAMBLE

PRODUCT TEARSHEET



# Rutland 3 Drawer Dresser

---

Shown in: **PUT DRW**

SKU: **76587**

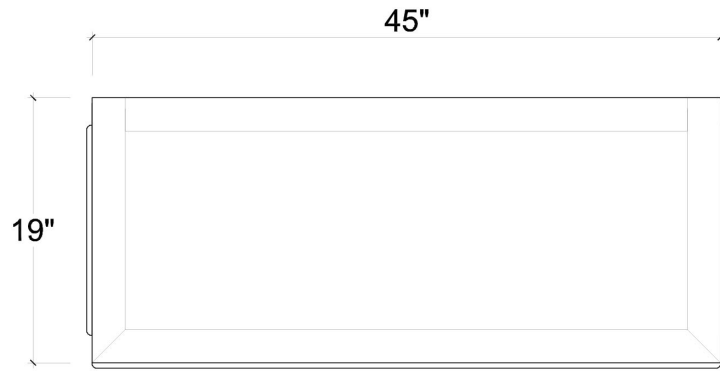
Size: **45W x 19D x 39H in**



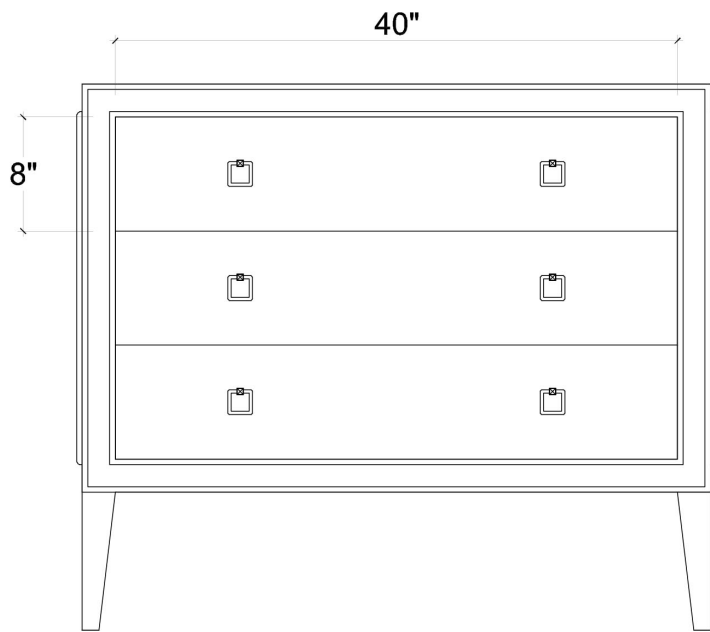
## Overview

---

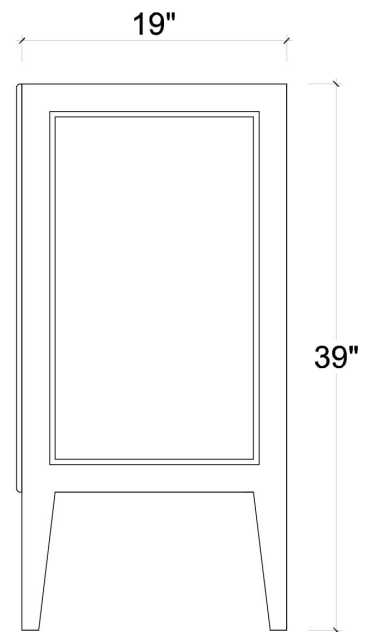
Mornington 3 Drawer Dresser



TOP VIEW



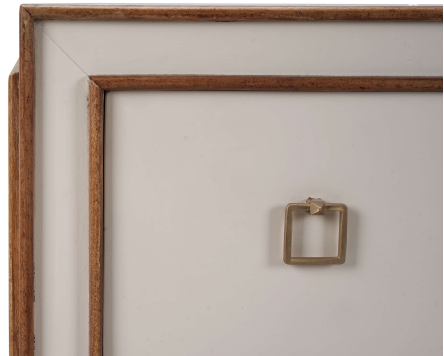
FRONT VIEW



SIDE VIEW

## Visual Highlights

---





## Technical Specification

---

Dimensions	<b>45W x 19D x 39H in</b>	CBM	<b>0.650416</b>
Number of Packages	<b>1</b>	Cubic Feet	<b>22.97 ft<sup>3</sup></b>
Package 1 Dimensions	<b>46.5 x 20.5 x 42.1 in</b>	Package 1 Weight	<b>116.84 lbs</b>
Package Weight Total	<b>116.84 lbs</b>	Net Weight	<b>105.82 lbs</b>
Material	<b>Mahogany</b>		

<https://www.brambleco.com/76587>

---