

EST. *B* 1991

BRAMBLE

PRODUCT TEARSHEET



# Fitzrovia Dining Chair

---

Shown in: **OFW SF204 RT01**

SKU: **76563**

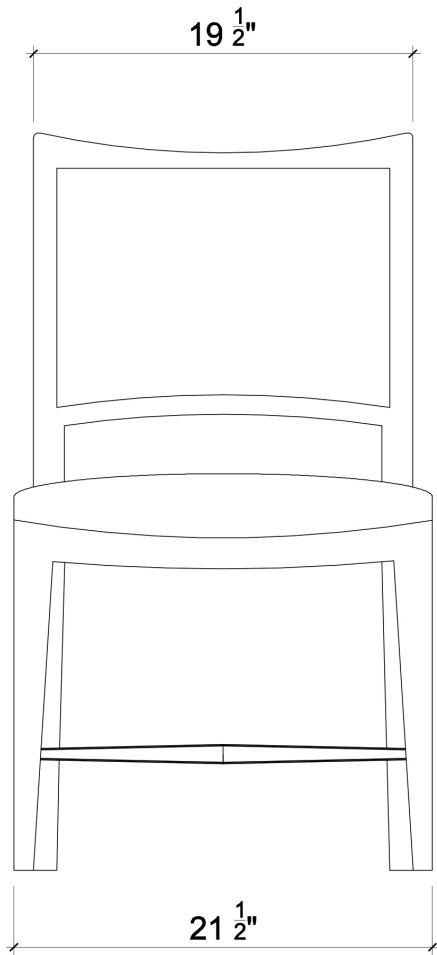
Size: **21W x 20D x 37H in**



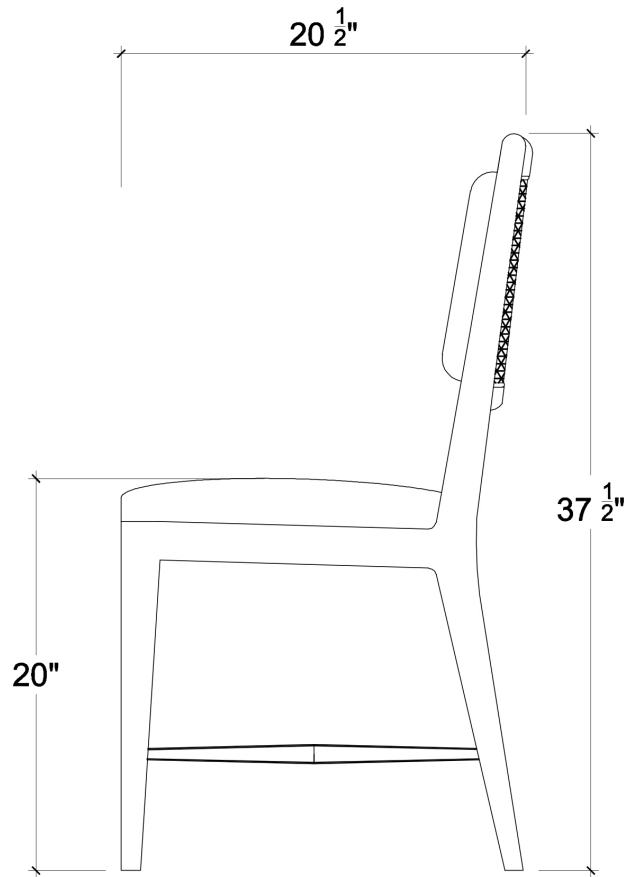
## Overview

---

Fitzrovia Dining Chair



FRONT VIEW



SIDE VIEW

## Visual Highlights

---





## Technical Specification

---

Dimensions	<b>21W x 20D x 37H in</b>	CBM	<b>0.1987776</b>
Number of Packages	<b>1</b>	Cubic Feet	<b>7.02 ft<sup>3</sup></b>
Package 1 Dimensions	<b>22.8 x 22 x 40.2 in</b>	Package 1 Weight	<b>22.05 lbs</b>
Package Weight Total	<b>22.05 lbs</b>	Net Weight	<b>16.53 lbs</b>
Material	<b>Mahogany wood, Rattan, Upholstery</b>		

---

<https://www.brambleco.com/76563>

---