

EST. *B* 1991

BRAMBLE

PRODUCT TEARSHEET



# Mayfair Chair

---

Shown in: **BBA SF204 RNAT**

SKU: **76560**

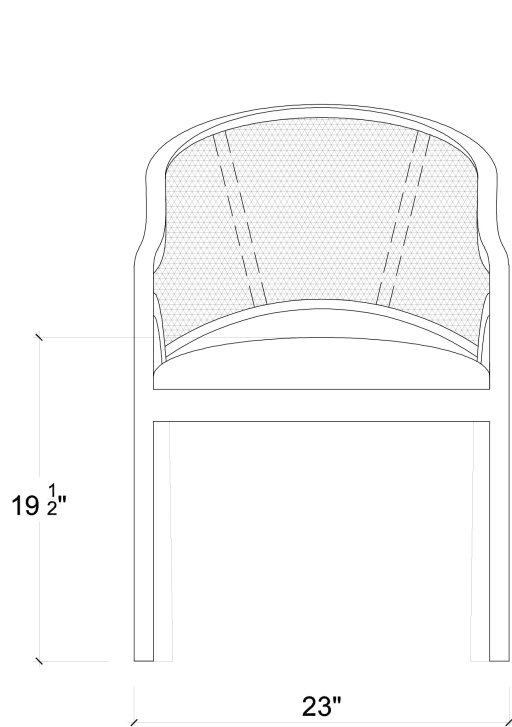
Size: **23W x 24D x 34H in**



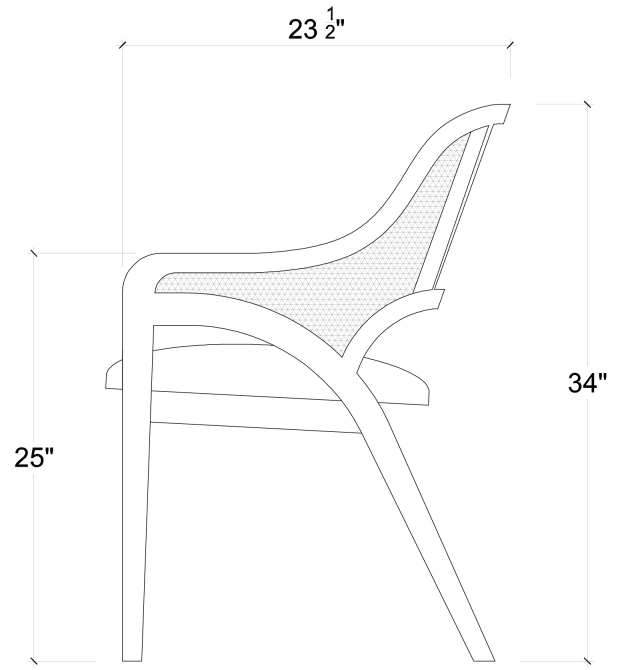
## Overview

---

Mayfair Chair



FRONT VIEW



SIDE VIEW

## Visual Highlights

---





## Technical Specification

---

Dimensions	<b>23W x 24D x 34H in</b>	CBM	<b>0.3044448</b>
Number of Packages	<b>1</b>	Cubic Feet	<b>10.75 ft<sup>3</sup></b>
Package 1 Dimensions	<b>24.4 x 26 x 36.6 in</b>	Package 1 Weight	<b>26.46 lbs</b>
Package Weight Total	<b>26.46 lbs</b>	Net Weight	<b>16.53 lbs</b>
Material	<b>Mahogany wood, Rattan, Upholstery</b>		

<https://www.brambleco.com/76560>

---