

EST. *B* 1991

BRAMBLE

PRODUCT TEARSHEET



Dulwich Dining Chair

Shown in: **STW SF204**

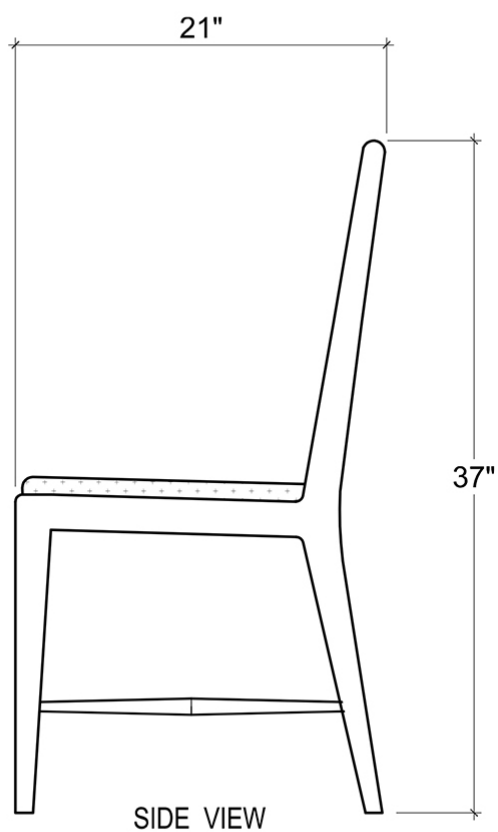
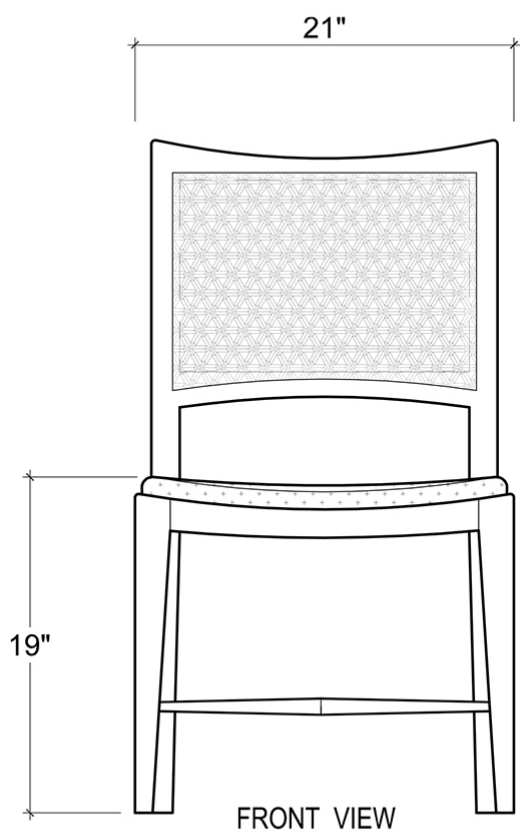
SKU: **76450**

Size: **21W x 20D x 37H in**

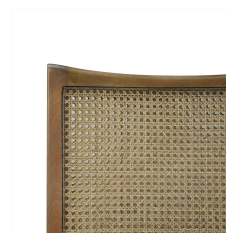


Overview

Dulwich Dining Chair



Visual Highlights





Technical Specification

| | | | |
|----------------------|--------------------------------|------------------|----------------------------|
| Dimensions | 21W x 20D x 37H in | CBM | 0.1987776 |
| Number of Packages | 1 | Cubic Feet | 7.02 ft³ |
| Package 1 Dimensions | 22.8 x 22 x 40.2 in | Package 1 Weight | 26.46 lbs |
| Package Weight Total | 26.46 lbs | Net Weight | 19.84 lbs |
| Material | Mahogany, Linen, Rattan | | |

<https://www.brambleco.com/76450>
