

EST. *B* 1991

BRAMBLE

PRODUCT TEARSHEET



Chelsea Small Round Mirror

Shown in: **MAR**

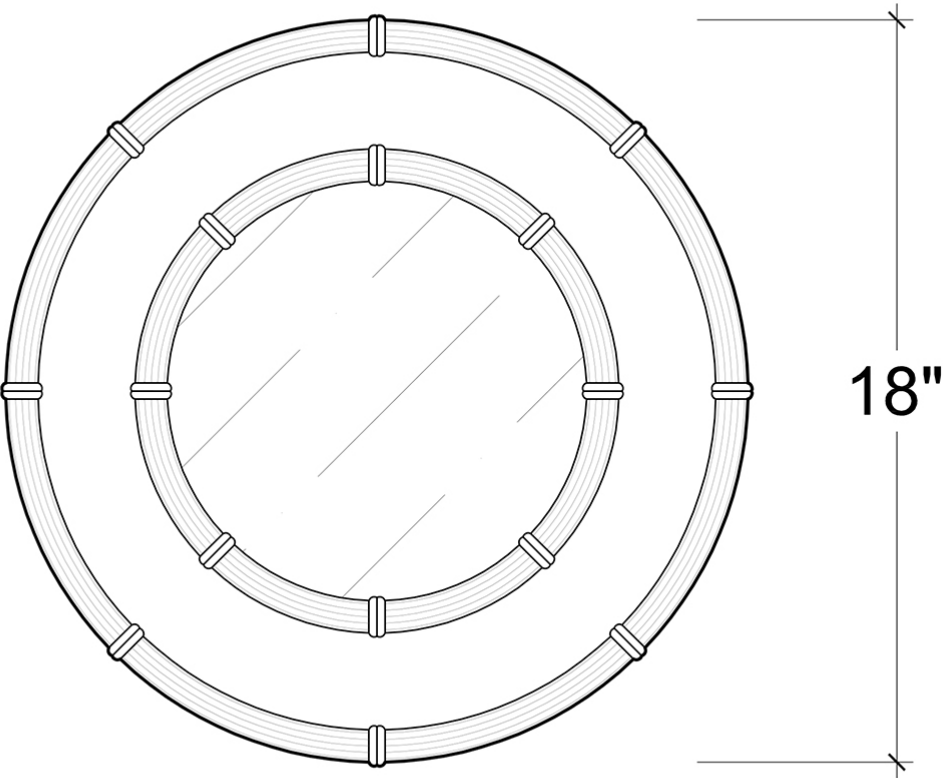
SKU: **76432**

Size: **19W x 1D x 19H in**



Overview

Chelsea Small Round Mirror



Visual Highlights

Technical Specification

Dimensions	19W x 1D x 19H in	CBM	0.019278
Number of Packages	1	Cubic Feet	0.68 ft³
Package 1 Dimensions	21.7 x 4.7 x 24 in	Package 1 Weight	12.13 lbs
Package Weight Total	12.13 lbs	Net Weight	11.02 lbs
Material	Mahogany, Mirror		

<https://www.brambleco.com/76432>
