



BRAMBLE

PRODUCT TEARSHEET



Regent Dining Chair

Shown in: **MAR SF200**

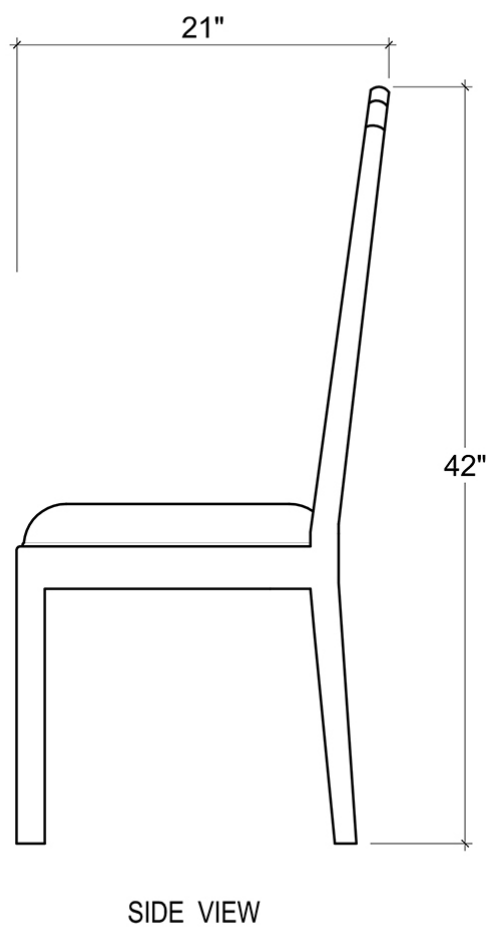
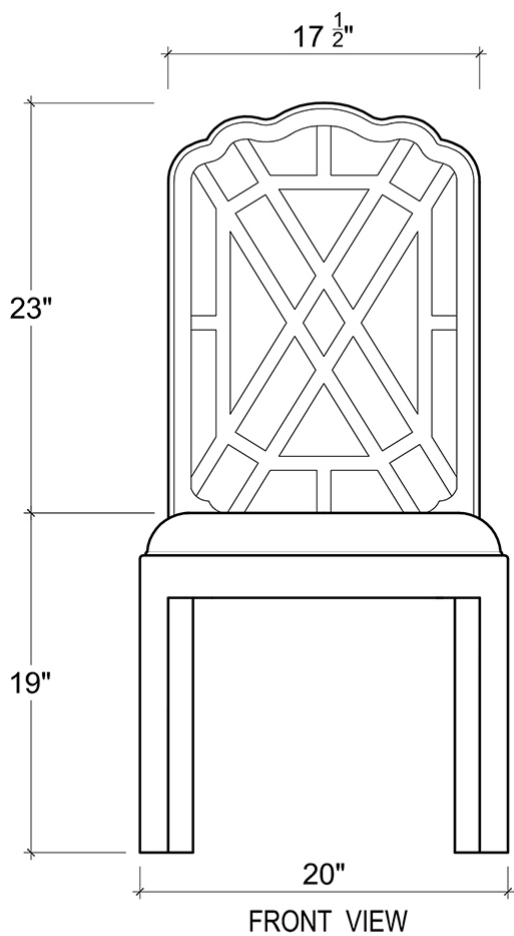
SKU: **76428**

Size: **20W x 21D x 42H in**



Overview

Regent Dining Chair



Visual Highlights



Technical Specification

Dimensions	20W x 21D x 42H in	CBM	0.2183328
Number of Packages	1	Cubic Feet	7.71 ft³
Package 1 Dimensions	22 x 22.4 x 44.9 in	Package 1 Weight	28.66 lbs
Package Weight Total	28.66 lbs	Net Weight	22.05 lbs
Material	Mahogany, Linen		

<https://www.brambleco.com/76428>
