

EST. *B* 1991

BRAMBLE

PRODUCT TEARSHEET



Grosvenor Credenza

Shown in: **BBA OFW**

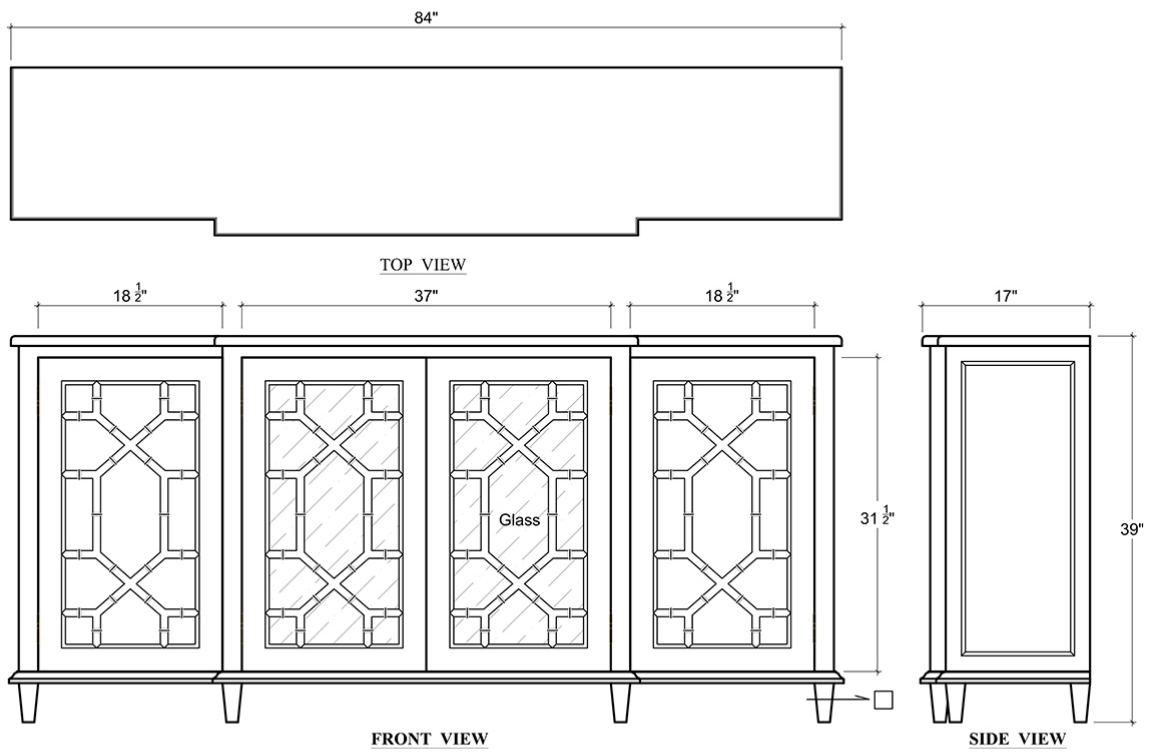
SKU: **76423**

Size: **84W x 17D x 39H in**



Overview

Grosvenor Credenza



Visual Highlights





Technical Specification

Dimensions	84W x 17D x 39H in	CBM	1.081094
Number of Packages	1	Cubic Feet	38.18 ft³
Package 1 Dimensions	87 x 20.1 x 44.5 in	Package 1 Weight	145.5 lbs
Package Weight Total	145.5 lbs	Net Weight	125.66 lbs
Material	Mahogany		

<https://www.brambleco.com/76423>
