



BRAMBLE

PRODUCT TEARSHEET



Dorchester Pier Mirror

Shown in: **GCH WCH**

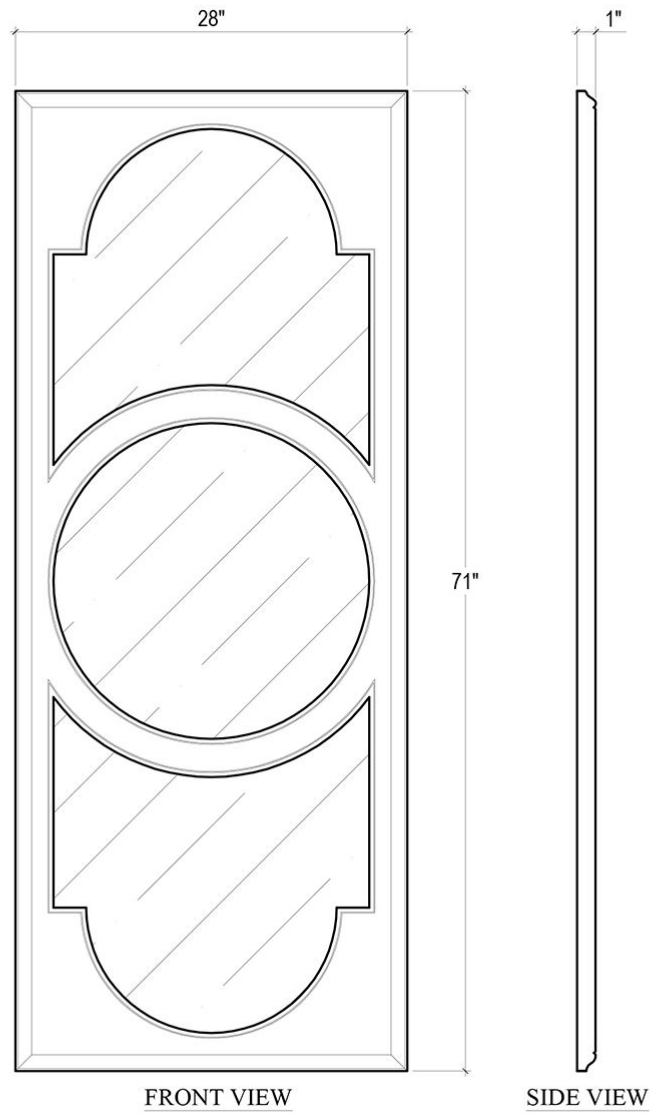
SKU: **76393**

Size: **28W x 2D x 71H in**



Overview

Dorchester Pier mirror



Visual Highlights



Technical Specification

Dimensions	28W x 2D x 71H in	CBM	0.113696
Number of Packages	1	Cubic Feet	4.02 ft³
Package 1 Dimensions	31.5 x 4.7 x 76.4 in	Package 1 Weight	76.06 lbs
Package Weight Total	76.06 lbs	Net Weight	74.96 lbs
Material	Mahogany, Mirror		

<https://www.brambleco.com/76393>
