

EST. *B* 1991

BRAMBLE

PRODUCT TEARSHEET



# Clapham Side Table

---

Shown in: **DRW**

SKU: **75704**

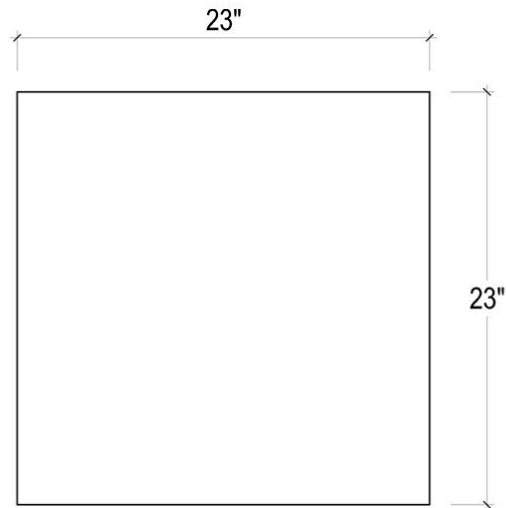
Size: **23W x 23D x 24H in**



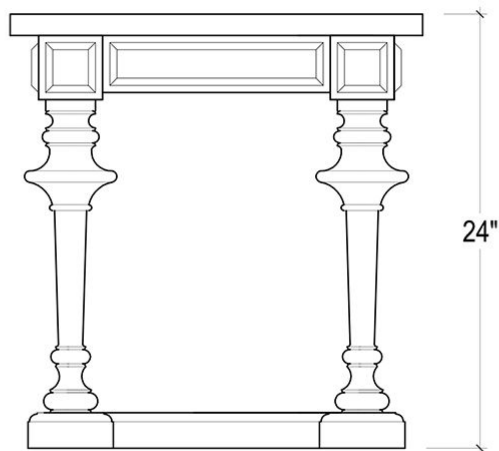
## Overview

---

Clapham Side Table



TOP VIEW



FRONT / SIDE VIEW

## Visual Highlights

---



## Technical Specification

---

Dimensions	<b>23W x 23D x 24H in</b>	CBM	<b>0.261392</b>
Number of Packages	<b>1</b>	Cubic Feet	<b>9.23 ft<sup>3</sup></b>
Package 1 Dimensions	<b>24.4 x 24.4 x 26.8 in</b>	Package 1 Weight	<b>46.3 lbs</b>
Package Weight Total	<b>46.3 lbs</b>	Net Weight	<b>35.27 lbs</b>
Material	<b>Mahogany</b>		

<https://www.brambleco.com/75704>

---