

EST. *B* 1991

BRAMBLE

PRODUCT TEARSHEET



Yeomans Desk

Shown in: **STW**

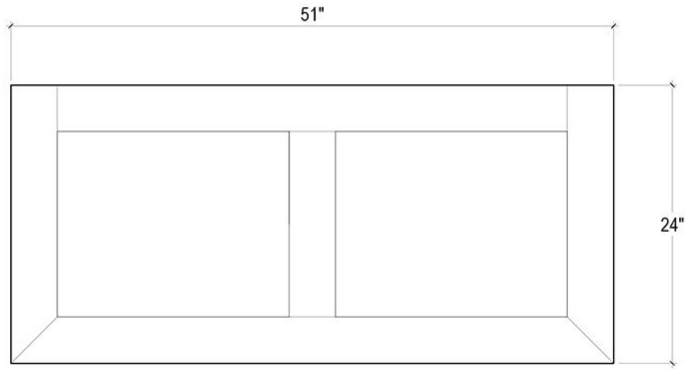
SKU: **75521**

Size: **51W x 24D x 31H in**

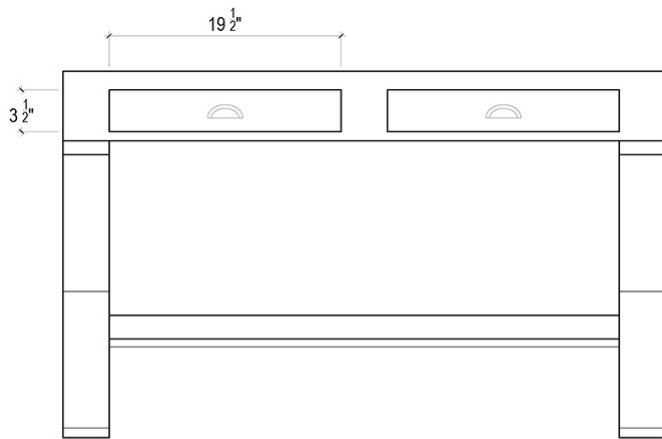


Overview

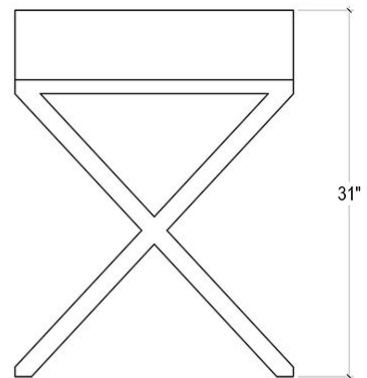
Yeomans Desk



TOP VIEW



FRONT VIEW



SIDE VIEW

Visual Highlights



Technical Specification

Dimensions	51W x 24D x 31H in	CBM	0.295872
Number of Packages	1	Cubic Feet	10.45 ft³
Package 1 Dimensions	54.3 x 26.8 x 16.3 in	Package 1 Weight	93.7 lbs
Package Weight Total	93.7 lbs	Net Weight	79.37 lbs
Material	Mahogany		

<https://www.brambleco.com/75521>
