

EST. *B* 1991

BRAMBLE

PRODUCT TEARSHEET



# Dauphine Dresser

---

Shown in: **WHD**

SKU: **75461**

Size: **39W x 18D x 39H in**



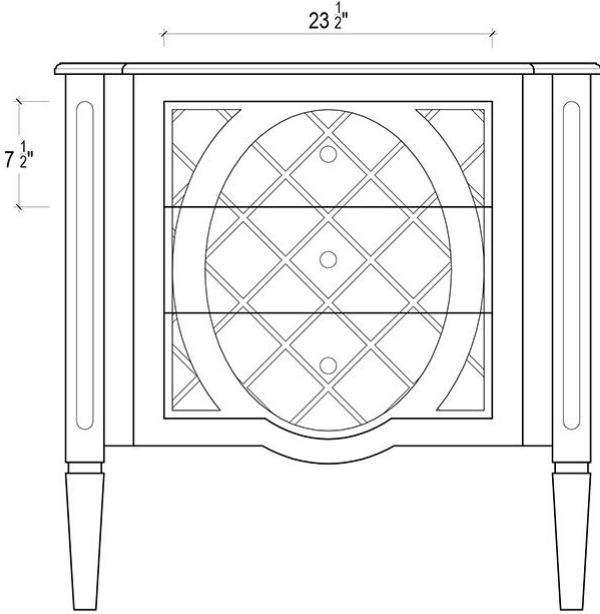
# Overview

---

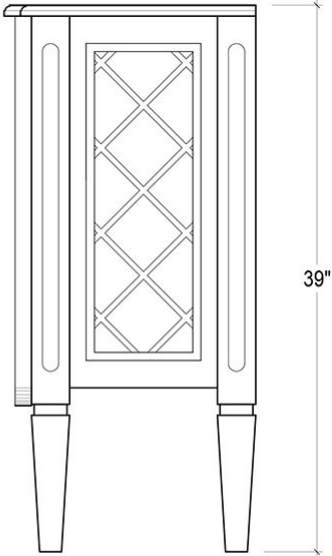
Dauphine Dresser



TOP VIEW



FRONT VIEW



SIDE VIEW

## Visual Highlights

---



## Technical Specification

---

Dimensions	<b>39W x 18D x 39H in</b>	CBM	<b>0.5564</b>
Number of Packages	<b>1</b>	Cubic Feet	<b>19.65 ft<sup>3</sup></b>
Package 1 Dimensions	<b>42.5 x 21.3 x 44.9 in</b>	Package 1 Weight	<b>110.23 lbs</b>
Package Weight Total	<b>110.23 lbs</b>	Net Weight	<b>94.8 lbs</b>
Material	<b>Mahogany</b>		

<https://www.brambleco.com/75461>

---