



BRAMBLE

PRODUCT TEARSHEET



Milton Dining Chair

Shown in: **WLT LL207**

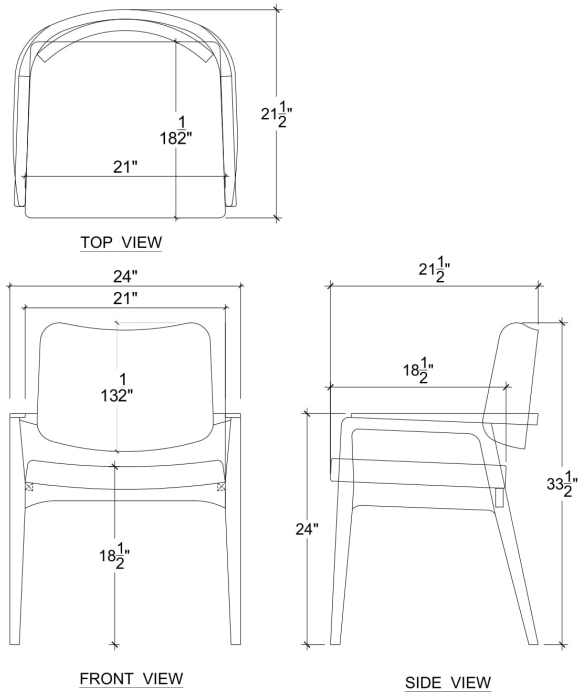
SKU: **28735**

Size: **24W x 22D x 33H in**



Overview

Milton Dining Chair



Visual Highlights





Technical Specification

Dimensions	24W x 22D x 33H in	CBM	0.28
Number of Packages	1	Cubic Feet	9.89 ft³
Package 1 Dimensions	25.6 x 23.2 x 36.2 in	Package 1 Weight	26.46 lbs
Package Weight Total	26.46 lbs	Net Weight	18.74 lbs

<https://www.brambleco.com/28735>
