



BRAMBLE

PRODUCT TEARSHEET



# Elanor Dining Chair

---

Shown in: **FRW SF227**

SKU: **28731**

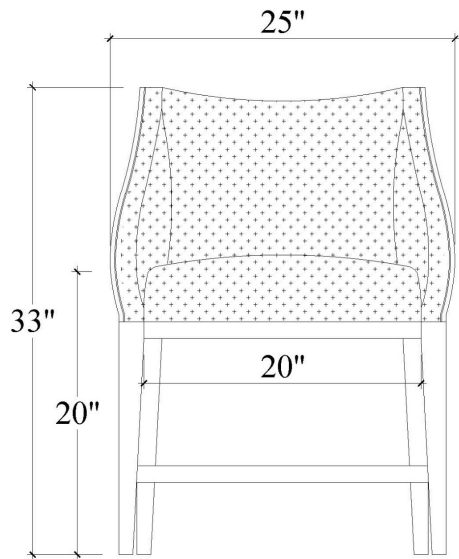
Size: **25W x 24D x 33H in**



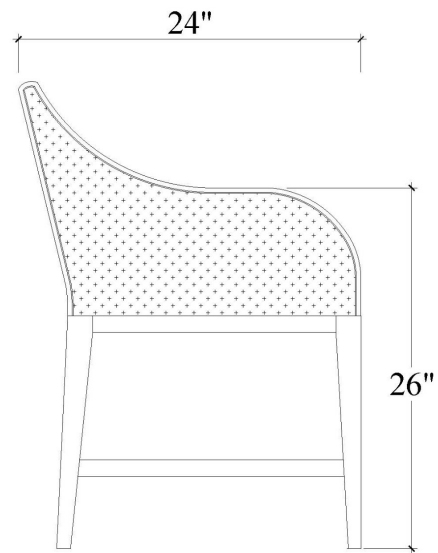
## Overview

---

Elenor Dining Chair



**FRONT VIEW**



**SIDE VIEW**

## Visual Highlights

---



## Technical Specification

---

Dimensions	<b>25W x 24D x 33H in</b>	CBM	<b>0.31</b>
Number of Packages	<b>1</b>	Cubic Feet	<b>10.95 ft<sup>3</sup></b>
Package 1 Dimensions	<b>25.2 x 26 x 35.8 in</b>	Package 1 Weight	<b>33.07 lbs</b>
Package Weight Total	<b>33.07 lbs</b>	Net Weight	<b>27.56 lbs</b>

<https://www.brambleco.com/28731>

---