



BRAMBLE

PRODUCT TEARSHEET



Verona Dining Chair

Shown in: **SF212**

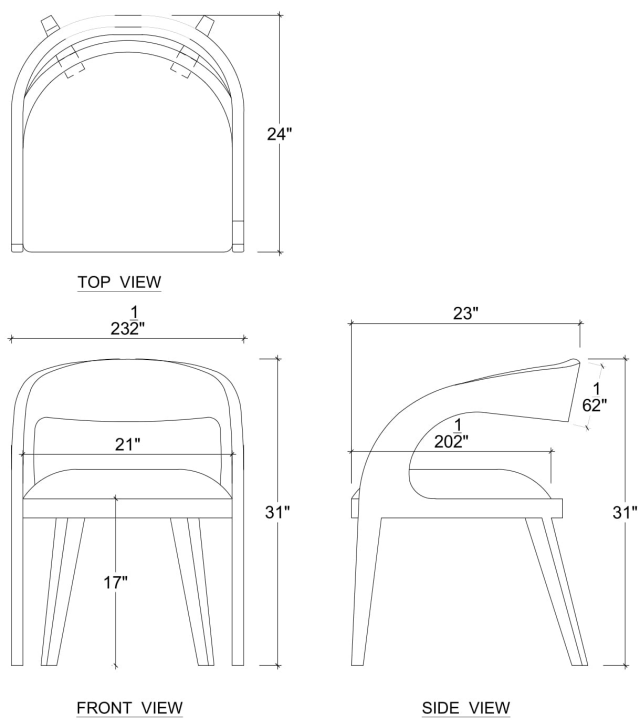
SKU: **28702**

Size: **24W x 23D x 31H in**



Overview

Verona Dining Chair



Visual Highlights





Technical Specification

Dimensions	24W x 23D x 31H in	CBM	0.28
Number of Packages	1	Cubic Feet	9.89 ft³
Package 1 Dimensions	25.2 x 24.8 x 33.9 in	Package 1 Weight	28.66 lbs
Package Weight Total	28.66 lbs	Net Weight	22.05 lbs

<https://www.brambleco.com/28702>
